

# BID ADVERTISEMENT FOR THE WEEKS OF

July 17, 2024 & July 24, 2024

## BID OPENS - THURSDAY AUGUST 15, 2024

### **FILE NO. 81-24 Crossarms & Accessories 2024**

FOR THE DIVISION OF CLEVELAND PUBLIC POWER FOR THE DEPARTMENT OF PUBLIC UTILITIES AS AUTHORIZED BY ORDINANCE 129.26. PASSED BY COUNCIL SEPTEMBER 21, 1992

There will be a **NON-MANDATORY Pre-Bid Meeting**, Thursday, July 25, 2024 at 10:00 am., Via WebEx, to call into meeting dial 1-415-655-0003, Access Code 2315 221 4647.

**Note:** Bid must be delivered to the Office of the Commissioner of Purchases and Supplies, Cleveland City Hall, 601 Lakeside Avenue, Room 128, Cleveland, Ohio 44114 before 12 o'clock noon (Eastern Time).



---

**CITY OF CLEVELAND,  
OHIO**

**DEPARTMENT OF FINANCE**



**DIVISION OF PURCHASES AND SUPPLIES**

**INVITATION TO BID**

---

**INVITATION TO BID AND FORMAL BID PACKAGE  
TABLE OF CONTENTS**

<u>ITEMS</u>	<u>SEQUENCE ORDER NUMBER</u>
Authorizing Ordinance.....	1
Bidder's Checklist.....	2
Instructions to Bidders (Part A).....	3
W-9 Form.....	4
Vendor Information Form.....	5
Bidder's Affidavit.....	6
Bid Bond.....	7
Bid Form.....	8
Bid Schedule of Items (Price Sheets).....	9
General Conditions (Part B).....	10
Specifications/Description of Products and/or Services (Supplemental Sections C, D, etc.).....	11
Nothern Ireland Form.....	12
Prevailing Wage, Davis Beacon or Living Wage (If applicable).....	13
Fannie M. Lewis, Chapter 188 (If applicable).....	14
Office of Equal Opportunitay Notice to Bidders, Chapter 187.....	15
Office of Equal Opportunity Clause.....	16
OEO Participation Form.....	17
OEO Schedules Checklist.....	18
OEO Schedules 1- 4.....	19
Subcontracting Participation or Waiver Form.....	20
OEO Submission Schedule.....	21

CITY OF CLEVELAND  
Department of Finance  
Division of Purchases and Supplies  
City Hall, Room 128  
Cleveland, Ohio 44114  
216-664-2620

**AUTHORIZING ORDINANCE  
AS PUBLISHED IN THE CITY RECORD**

---

**129.26 Purchase of Poles, Wire, Transformers, and Other Equipment**

The Director of Public Utilities is authorized to enter into one (1) or more standard purchase or requirement contracts duly let to the lowest and best bidder after competitive bidding for utility poles and crossarms, cable and wire, transformers, high voltage switching equipment, meters and metering equipment, streetlighting materials, manholes, rings and covers, all as deemed by the Director of Public Utilities to be necessary to the operations of the Division of Cleveland Public Power. Any purchase made pursuant to this section shall be made by the Commissioner of Purchases and Supplies and paid from the annual appropriations made for such purpose.

(Ord. No. 1630-92. Passed 9-21-92, eff. 9-25-92)

# City of Cleveland

DEPARTMENT OF FINANCE  
AHMED A. ABONAMAH  
DIRECTOR



DIVISION OF PURCHASES AND SUPPLIES  
TIFFANY JOHNSON  
COMMISSIONER

## BIDDER'S CHECK LIST

*The City of Cleveland requires that each bid submitted must comply with certain legal requirements to be considered a valid and formal bid. The checklist below is provided to assist in avoiding rejection of your bid due to omission of required information or forms.*

### CHECK WHEN COMPLETED

#### A. Bid/Schedule of Items

- 1. Is (are) the bid page(s) completed as required **and** signed in the upper right-hand corner?
- 2. Are all prices (Unit and extension) clearly and accurately presented?
- 3. Is the payment discount given?

#### B. Bid Bond

- 1. Is the bond made out in the names of and signed by both the principal **and** surety?
- 2. Is the bond amount sufficient for the amount of the bid? **Must be 5% of the amount of the bid.**
- 3. Is there a power of attorney attached to the bond?

#### C. Bid Check (if submitted in lieu of Bid Bond)

- 1. Is the check in an amount sufficient for the amount of the bid? **Must be 5% of the amount of the bid.**
- 2. Is the check either properly certified or a cashier's check?
- 3. Is the Check made payable to: THE CITY OF CLEVELAND?

#### D. Bid Form (not to be confused with the Bid Bond)

- 1. Is all the required information given?
- 2. Is the form signed?

#### E. Affidavit

- 1. Does the affidavit contain all the information required ON BOTH SIDES?
- 2. Is it properly Signed? Is it properly notarized by a Notary Public?

#### F. Contract Compliance Certifications

- 1. Did you read Item 13, the Equal Opportunity Clause, carefully, and understand it? If not, contact the Office of the Director of Equal Opportunity for further information (Phone 216/664-4152).
- 2. Did you read Item 14, the OEO Notice to Bidders, carefully, and understand it? If not, contact the Office of the Director of Equal Opportunity for further information (Phone 216/664-4152).
- 3. Did you complete OEO Schedules 1, 2, and 4 carefully and completely? Did you include signed Schedule 3's from all certified subcontractors?
- 4. If you are a Cleveland Area Small Business, minority business enterprise, or female business enterprise, did you include a copy of your own certificate?

#### G. Bid Envelope

- 1. Is the envelope identified with the correct title of the bid and the due date?
- 2. Is the envelope securely sealed?

#### H. Performance Bond

- 1. Will you be able to furnish the Performance Bond if one is required in paragraph A-5a of INSTRUCTIONS TO BIDDERS, in paragraph B-8 of General Conditions?
- 2. Notice: A certified or cashier's check is **not acceptable in lieu of a Performance Bond!**

**I. Federal Tax ID Form (W-9)**

- \_\_\_\_\_ 1. Is all the required information given?
- \_\_\_\_\_ 2. Is the form signed?

**J. Northern Ireland Fair Employment Practices Disclosure**

- \_\_\_\_\_ 1. Is all the required information given?
- \_\_\_\_\_ 2. Is the form signed?

**K. Please contact the Division of Purchases and Supplies at 216-664-2620 if you have additional questions on how to complete this bid form.**

## INSTRUCTIONS TO BIDDERS

### A-1 INVITATION TO BID

Sealed bids endorsed as designated in the "Title of Bid" section of the bid sheet(s) will be received at the Office of the Commissioner of Purchases and Supplies, Room 128, Cleveland City Hall, Cleveland, Ohio 44114, until 12:00 o'clock noon, official time, on the date indicated in the "Bid Opening" section of Page 1 of the bid page(s) and thereafter will be publicly opened and read in Room 128.

### A-2 FORM OF BID (BID FORM)

- a. Every bid must be made upon the blank form of bid attached hereto.
- b. Each bid must be clearly signed with the full name and address of every person, firm or corporation interested in such bid, followed by the date of such signing, in the space provided at the bottom of the bid form. If more than one person, firm or corporation has an interest in such bid, then the full name and address of each person, firm or corporation must be clearly signed on said bid. If the bidder is a partnership, the firm name and address, as well as the name and address of each individual partner must be given. If the bidder is a corporation, the name of the corporation, the name and title of the officer duly authorize to sign for the corporation, the business address of such officer and the name of the state in which the corporation is incorporated must be given.
- c. The bidder shall insert the amount of the bid bond, certified check or cashier's check in the space provided in the bid form.
- d. The bidder agrees to be bound by his bid from the time the bid is submitted until the earlier of the date stipulated by such bidder or the fourth regular meeting of the Board of Control after the bid submission date unless such time is extended by agreement between the bidder and the Board.

### A-3 BIDDERS AFFIDAVIT

Each bidder shall submit with its bid an affidavit stating that neither it nor its agents, nor any other party for it has paid or agreed to pay, directly or indirectly, any person, firm or corporation any money or valuable consideration for assistance in procuring or attempting to procure the contract herein referred to, and further stating that no such money or reward will be hereafter paid. This affidavit must be on the form which is hereto attached.

### A-4 BID BOND: CERTIFIED OR CASHIER'S CHECK

Each bid shall be accompanied by a bid bond signed by a surety company authorized to do business in Ohio, or by a cashier's check or certified check on a solvent bank, which bond or check shall be in the sum of five percent (5%) of the amount of the bid, except that with bids for purchase contracts not in excess of Fifty Thousand Dollars (\$50,000). Said bond or check shall be given as security that if the bid is accepted a contract will be entered into and the performance of it properly secured.

**A-5 DISPOSITION OF BID BOND, CERTIFIED OR CASHIER'S CHECK**

- a. When the bid is accepted, the bid bond, certified or cashier's check will be returned after the contract has been signed and the performance bond, if required, has been submitted to, and approved by, the City.
- b. If the successful bidder fails to enter into a contract, the bid bond, certified or cashier's check shall be forfeited and the principal amount of the bid bond shall be paid to the City, or the check shall be surrendered to the City as the agreed amount of liquidated damages.
- c. The bid bond, certified or cashier's check of the next lowest and best bidder will be retained until the lowest and best bidder has signed and secured the performance of its contract. If such lowest and best bidder fails to do so, the security of the next lowest and best bidder shall continue to be retained until it properly secures the contract awarded it. If such next lowest and best bidder defaults, the principal amount of its bid bond, or check shall also be forfeited to the City as liquidated damages.
- d. When a bid is rejected, the bid bond or check will be released or returned, respectively, to the bidder.

**A-6 EXPLANATIONS WRITTEN OR ORAL**

Any bidder finding a discrepancy or omission in the specifications or having any doubt as to their meaning, shall immediately notify the Commissioner of Purchases and Supplies, in writing. The Commissioner will respond by sending written notices or instructions to all bidders. The City will not be responsible for any oral instructions.

**A-7 PRICE BIDS AND DISCOUNTS**

- a. **Unit Prices**  
In the Schedule of Items the bidder must give the unit price stated in figures of every item bid, in the space so provided.
- b. **Trade Discounts**  
When the bidder offers a trade discount, the amount of such discount shall be stated on the Schedule of Items bid.
- c. **Catalog Pricing**  
Where the bidder submits its quotation by filing its catalog price list and discount, such documents shall be part of the bid and must be separately signed by the same person and in the same manner as on the bid form.

**A-8 BIDDER'S DESCRIPTION OF ITEMS**

- a. Each bidder shall, in its bid, describe completely the goods or services it proposes to furnish in response to and under the terms of the bid.
- b. The Commissioner of Purchases and Supplies may require a bidder to furnish additional information and/or specifications concerning items to be purchased under the terms of the bid.

**A-9 MANUFACTURER'S NAME**

- a. The use of a manufacturer's or a trade name in the specifications is solely for the purpose of designating a standard of quality and type and for no other purpose.
- b. Every bidder shall state in its Schedule of Items bid the manufacturer's and the trade name, if any, of each item they propose to furnish.



**A-10 SAMPLES**

If the commissioner of Purchases and Supplies requests, a bidder shall provide samples of the items it proposes to furnish if awarded a contract pursuant to its bid.

**A-11 TIME OF DELIVERY**

Bidder must state in its bid the time, in calendar days, within which it will deliver the item(s) bid unless stated differently in the specifications.

**A-12 PAYMENT DISCOUNT WHEN USED TO DETERMINE LOWEST AND BEST BID**

- a. In determining the lowest and best bid, the City will consider all bids on a basis of the net price to be paid after deduction of the discount specified; except that if the terms of payment specified by the bidder require payment in less than thirty (30) days from the date of the invoice, the discount offered will not be deducted from the price stated in the bid to determine the lowest and best bidder, and the bid will be considered only on the basis of the unit price actually named in the bid. But if, notwithstanding the provisions of this paragraph such bid is determined to be the lowest and best bid, the City reserves the right to accept the terms named in the bid if such terms are to the advantage of the City as a basis for payment of invoices only, but not in any case as a basis for determining the lowest and best bidder.
- b. The City will take a discount of two percent (2%) on payments made within thirty (30) days from receipt of articles, commodities, materials, supplies, equipment or services, unless the bidder indicates otherwise on the space provided on the Schedule of Items bid.

**PARAGRAPHS A-13 THROUGH A-15 APPLY ONLY IF THE "REQUIREMENT CONTRACT" BLOCK IS CHECKED ON PAGE 1 OF THE SCHEDULE OF ITEMS AND ON THE BID FORM.**

**A-13 REQUIREMENT CONTRACT DEFINED**

- a. A requirement contract is a contract under which the contractor has a duty to provide the City's requirements during the contract term for all articles, commodities, supplies, materials, equipment and/or services set forth in the bid and required by the City's authorized users of the items approved for contract.
- b. A contract awarded under this bid will be termed a requirement contract.

**A-14 PURCHASES UNDER A REQUIREMENT CONTRACT**

- a. Under a requirement contract, a contractor shall supply all the City's requirements during the term for the articles, commodities, supplies, materials, services or equipment set forth in the *Invitation to Bid*. See GENERAL CONDITIONS, Section B-24, **Duration of Contract**.
- b. If the *Schedule of Items* in the *Invitation to Bid* is marked "requirement contract," then all quantities stated in the *Schedule of Items* are the City's good-faith estimates only. The City shall place each order under the

contract, whether singly or cumulatively more or less than the estimated quantities set forth in the *Schedule of Items*, by a Delivery Order against the contract and separately certified.

**A-15 LIMITATION OF PERIOD OF CONTRACT**

If the proposed duration of the contract would deprive the City of the best available market price, the bidder may offer an alternate bid as to duration of the contract, setting forth in the bid the longest period of time it can furnish and deliver the proportionate amount of items at the firm price set forth in the bid. No other provision of the Invitation to Bid shall be subject to an alternate bid unless specifically requested.

**A-16 BID DISCOUNTS - APPLICABLE TO BIDS FOR GOODS AND SERVICES PURCHASE CONTRACTS AND PUBLIC IMPROVEMENT CONTRACTS IN EXCESS OF FIFTY THOUSAND DOLLARS (\$50,000).**

a. Bid Discounts under Sections 187.03 and 187.05. If the bid of any prime contractor that is a CSB, MBE, FBE or a CSB, MBE or FBE joint venture is no more than five percent (5%) higher than the lowest actual bid for a contract that is not from a CSB, MBE, FBE or a CSB, MBE or FBE joint venture, the contracting department shall apply a Bid Discount of five percent (5%) to the CSB, MBE, FBE or CSB, MBE or FBE joint venture bid for the purpose of establishing a Comparison Bid. The City of Cleveland shall use the following ranking in determining who receives the preference:

1. Where the disparity study has determined that a disparity exists, the bid discount shall go to the bidders who are certified by the City as members of the specific MBE/FBE group for which the proven disparity exists. No other bidders shall receive any preference under Sections 187.03 and 187.05 at the prime contractor level.
2. Where no disparity has been proven, or when no bids are received from groups for which a proven disparity exists, the bid discount shall go to certified CSB bidders certified by the City as located within the city limits of Cleveland. No other bidders shall receive any preference under Sections 187.03 and 187.05 at the prime contractor level.
3. Where no disparity has been proven, or when no bids are received from groups for which a proven disparity exists, and no bids were received from certified CSB firms certified by the City as located within the city limits of Cleveland, the bid discount shall go to Certified CSB bidders certified by the City as located within Cuyahoga County. No other bidders shall receive any preference under Sections 187.03 and 187.05 at the prime contractor level.
4. In addition to any bid discounts at the prime contractor level, all prime contractors shall receive a bid discount of 5% of the total dollar amount of all CSB, MBE and/or FBE certified by the City that the prime contractor properly documents as subcontractors in their bid, for the purpose of establishing a Comparison Bid.
5. The total Bid Discount awarded to any bidder on a bid pursuant to Sections 187.03 and 187.05 shall not exceed \$50,000.00.

b. Bid Discounts under Section 187A.02(a): Application of Bid Discount - A Contracting Department shall apply a Bid Discount of two percent (2%) to a bid received from a Local Producer (LPE); two percent (2%) to a bid received from a Local Food-Producer (LPE); and two percent (2%) to a bid received from a Local Sustainable Business (SUBE); provided that the maximum total Bid Discount applied under Section 187A.02 (a) shall not exceed four percent (4%). Bid Discounts applied under Section 187A.02 (a) shall be in addition to any Bid Discount applied under Sections 187.03 and 187.05. The maximum amount of any Bid Discounts applied under this Section 187A.02 (a) shall not exceed \$50,000.

c. Maximum Cumulative Amount of All Bid Discounts:

The maximum cumulative amount of all Bid Discounts that may be applied to the bid under Sections 187.03, 187.05, and 187A.02 shall not exceed \$75,000.00, or nine percent (9%), whichever is lower.

d. Comparison Bid to Determine Lowest and Best Bidder:

The City shall determine the Comparison Bid by totaling all applicable Bid Discounts under Sections 187.03, 187.05, and 187A.02. The City shall use the Comparison Bid in determining the lowest and best or lowest responsible bidder for the purpose of awarding the contract. If more than one CSB, MBE, FBE, LPE, SUBE or CSB, MBE, FBE LPE, SUBE joint venture prime contractor in the respective category submits a bid that is no more than five percent (5%) higher than the lowest actual bid that is not from a CSB, MBE, FBE, LPE, SUBE or from a CSB, MBE, FBE, LPE, SUBE joint venture, the contracting department shall recommend the CSB, MBE, FBE, LPE, SUBE, or CSB, MBE, FBE, LPE, SUBE joint venture submitting the lowest bid, after the inclusion of all applicable prime and subcontractor discounts, as the lowest and best or lowest responsible bidder.

The City shall use the Comparison Bid amount determined by applying the bid discounts described in Articles A-16A. and A-16B. above for evaluation purposes only; the City shall use the actual bid amount for the purposes of bid approval and contract award.

e. City of Cleveland Certification required: For the purpose of determining a bidder's eligibility for bid discounts, the City shall only consider bidders with valid certificates issued by the City of Cleveland's Office of Equal Opportunity. The certifications must be active on the date and time of the deadline for bid submission. Expired certification holders and pending certifications cannot be considered for calculation of bid discounts. Certifications from other public or private entities cannot be considered.

**A-17 Good Faith Participation - APPLICABLE TO BIDS FOR GOODS AND SERVICES PURCHASE CONTRACTS AND PUBLIC IMPROVEMENT CONTRACTS IN EXCESS OF FIFTY THOUSAND DOLLARS (\$50,000).**

Bidders are required to actively participate and demonstrate good faith in attempting to meet all OEO goals for this procurement. A good faith effort to meet certified CSB, MBE, and/or FBE subcontractor participation goals as established in this contract is of the essence of the contract.

Good faith participation shall include:

1. Active cooperation in making and documenting a serious effort to gain and maintain participation from certified businesses at or above the specific goals set for this procurement;
2. Achieving or exceeding the CSB/MBE/FBE goals set for this particular procurement and/or documenting the practical steps taken by the bidder in attempting to comply;
3. Active attendance and participation in all prebid meetings, Notice to Proceed meetings, and progress meetings during the contract;
4. Active compliance and cooperation with Project Monitors from OEO and/or the Department; and,
5. Timely and accurate submittals of all required forms, including, but not limited to, electronic monitoring forms, employment reports and certified payrolls if applicable.

The final determination of good faith effort shall be made by the Office of Equal Opportunity based upon each bidder's actions as documented in the required forms and as verified by OEO follow up.

**A-18 Cleveland Area Business Code Notice to Bidders & Schedules - APPLICABLE TO BIDS FOR GOODS AND SERVICES PURCHASE CONTRACTS AND PUBLIC IMPROVEMENT CONTRACTS IN EXCESS OF FIFTY THOUSAND DOLLARS (\$50,000).**

Sections 187 and 187A of the Codified Ordinances of the City of Cleveland Ohio, the Cleveland Area Business Code, in its entirety, whether reproduced in whole or in part within these documents, as well as the Cleveland Area Business Code Notice to Bidders & Schedules included in this bid document, shall become part of any contract awarded pursuant to this Invitation to Bid. Compliance with Section 187 and 187A is of the essence of the contract.

**A-19 SUBCONTRACTING:**

a. Any and all proposed subcontractors, whether City certified or not, must be divulged and listed in the sealed bid. Include all proposed subcontractors on OEO Schedule 2. A Schedule 3 is also required for each proposed subcontractor that is CSB, MBE, FBE, LPE, or SUBE certified. However, a Schedule 3 is not required for proposed subcontractors who are not City-certified as a CSB, MBE, FBE, LPE, or SUBE.

b. If OEO Schedule 2 is not included in the bid documents, you must submit a proposed subcontractor list on a separate, signed sheet of paper, listing the name, address, type of work or materials, and total subcontractor amount for each and every subcontractor that you propose to use on the contract.

c. All proposed subcontractors listed in your bid must receive written Board of Control approval in advance. The subcontractors you propose in your sealed bid will be considered the subcontractors that you will use in the contract if awarded to you. See Article B-11 regarding the City's Sub-contractor Addition and Substitution Policy and Procedure. The City also reserves the right to approve an award, but not approve a proposed subcontractor.

d. The City maintains a list of Vendors Ineligible to Contract or Subcontract with the City at the City of Cleveland website: <http://www.city.cleveland.oh.us>. It is each bidder's responsibility to propose only eligible contractors. The City cannot approve a subcontractor whose name appears in this listing.

**Request for Taxpayer  
Identification Number and Certification**

Give Form to the requester. Do not send to the IRS.

Go to [www.irs.gov/FormW9](http://www.irs.gov/FormW9) for instructions and the latest information.

1 Name (as shown on your income tax return). Name is required on this line; do not leave this line blank.	
2 Business name/disregarded entity name, if different from above	
3 Check appropriate box for federal tax classification of the person whose name is entered on line 1. Check only one of the following seven boxes.	4 Exemptions (codes apply only to certain entities, not individuals; see instructions on page 3):
	Exempt payee code (if any) _____
<input type="checkbox"/> Individual/sole proprietor or single-member LLC <input type="checkbox"/> Limited liability company. Enter the tax classification (C=C corporation, S=S corporation, P=Partnership) ▶ _____ <small>Note: Check the appropriate box in the line above for the tax classification of the single-member owner. Do not check LLC if the LLC is classified as a single-member LLC that is disregarded from the owner unless the owner of the LLC is another LLC that is not disregarded from the owner for U.S. federal tax purposes. Otherwise, a single-member LLC that is disregarded from the owner should check the appropriate box for the tax classification of its owner.</small> <input type="checkbox"/> Other (see instructions) ▶ _____	<input type="checkbox"/> C Corporation <input type="checkbox"/> S Corporation <input type="checkbox"/> Partnership <input type="checkbox"/> Trust/estate  Exemption from FATCA reporting code (if any) _____ <small>(Applies to accounts maintained outside the U.S.)</small>
5 Address (number, street, and apt. or suite no.) See instructions.	Requester's name and address (optional)
6 City, state, and ZIP code	
7 List account number(s) here (optional)	

**Part I Taxpayer Identification Number (TIN)**

Enter your TIN in the appropriate box. The TIN provided must match the name given on line 1 to avoid backup withholding. For individuals, this is generally your social security number (SSN). However, for a resident alien, sole proprietor, or disregarded entity, see the instructions for Part I, later. For other entities, it is your employer identification number (EIN). If you do not have a number, see *How to get a TIN*, later.

**Social security number**

--	--	--	--	--	--	--	--	--	--	--	--

OR

**Employer identification number**

--	--	--	--	--	--	--	--	--	--	--	--

**Note:** If the account is in more than one name, see the instructions for line 1. Also see *What Name and Number To Give the Requester* for guidelines on whose number to enter.

**Part II Certification**

Under penalties of perjury, I certify that:

- The number shown on this form is my correct taxpayer identification number (or I am waiting for a number to be issued to me); and
- I am not subject to backup withholding because: (a) I am exempt from backup withholding, or (b) I have not been notified by the Internal Revenue Service (IRS) that I am subject to backup withholding as a result of a failure to report all interest or dividends, or (c) the IRS has notified me that I am no longer subject to backup withholding; and
- I am a U.S. citizen or other U.S. person (defined below); and
- The FATCA code(s) entered on this form (if any) indicating that I am exempt from FATCA reporting is correct.

**Certification instructions.** You must cross out item 2 above if you have been notified by the IRS that you are currently subject to backup withholding because you have failed to report all interest and dividends on your tax return. For real estate transactions, item 2 does not apply. For mortgage interest paid, acquisition or abandonment of secured property, cancellation of debt, contributions to an individual retirement arrangement (IRA), and generally, payments other than interest and dividends, you are not required to sign the certification, but you must provide your correct TIN. See the instructions for Part II, later.

<b>Sign Here</b>	Signature of U.S. person ▶	Date ▶
------------------	----------------------------	--------

**General Instructions**

Section references are to the Internal Revenue Code unless otherwise noted.

**Future developments.** For the latest information about developments related to Form W-9 and its instructions, such as legislation enacted after they were published, go to [www.irs.gov/FormW9](http://www.irs.gov/FormW9).

**Purpose of Form**

An individual or entity (Form W-9 requester) who is required to file an information return with the IRS must obtain your correct taxpayer identification number (TIN) which may be your social security number (SSN), individual taxpayer identification number (ITIN), adoption taxpayer identification number (ATIN), or employer identification number (EIN), to report on an information return the amount paid to you, or other amount reportable on an information return. Examples of information returns include, but are not limited to, the following.

- Form 1099-INT (interest earned or paid)

- Form 1099-DIV (dividends, including those from stocks or mutual funds)
- Form 1099-MISC (various types of income, prizes, awards, or gross proceeds)
- Form 1099-B (stock or mutual fund sales and certain other transactions by brokers)
- Form 1099-S (proceeds from real estate transactions)
- Form 1099-K (merchant card and third party network transactions)
- Form 1098 (home mortgage interest), 1098-E (student loan interest), 1098-T (tuition)
- Form 1099-C (canceled debt)
- Form 1099-A (acquisition or abandonment of secured property)  
Use Form W-9 only if you are a U.S. person (including a resident alien), to provide your correct TIN.  
*If you do not return Form W-9 to the requester with a TIN, you might be subject to backup withholding. See What is backup withholding, later.*

By signing the filled-out form, you:

1. Certify that the TIN you are giving is correct (or you are waiting for a number to be issued),
2. Certify that you are not subject to backup withholding, or
3. Claim exemption from backup withholding if you are a U.S. exempt payee. If applicable, you are also certifying that as a U.S. person, your allocable share of any partnership income from a U.S. trade or business is not subject to the withholding tax on foreign partners' share of effectively connected income, and
4. Certify that FATCA code(s) entered on this form (if any) indicating that you are exempt from the FATCA reporting, is correct. See *What Is FATCA reporting*, later, for further information.

**Note:** If you are a U.S. person and a requester gives you a form other than Form W-9 to request your TIN, you must use the requester's form if it is substantially similar to this Form W-9.

**Definition of a U.S. person.** For federal tax purposes, you are considered a U.S. person if you are:

- An individual who is a U.S. citizen or U.S. resident alien;
- A partnership, corporation, company, or association created or organized in the United States or under the laws of the United States;
- An estate (other than a foreign estate); or
- A domestic trust (as defined in Regulations section 301.7701-7).

**Special rules for partnerships.** Partnerships that conduct a trade or business in the United States are generally required to pay a withholding tax under section 1446 on any foreign partners' share of effectively connected taxable income from such business. Further, in certain cases where a Form W-9 has not been received, the rules under section 1446 require a partnership to presume that a partner is a foreign person, and pay the section 1446 withholding tax. Therefore, if you are a U.S. person that is a partner in a partnership conducting a trade or business in the United States, provide Form W-9 to the partnership to establish your U.S. status and avoid section 1446 withholding on your share of partnership income.

In the cases below, the following person must give Form W-9 to the partnership for purposes of establishing its U.S. status and avoiding withholding on its allocable share of net income from the partnership conducting a trade or business in the United States.

- In the case of a disregarded entity with a U.S. owner, the U.S. owner of the disregarded entity and not the entity;
- In the case of a grantor trust with a U.S. grantor or other U.S. owner, generally, the U.S. grantor or other U.S. owner of the grantor trust and not the trust; and
- In the case of a U.S. trust (other than a grantor trust), the U.S. trust (other than a grantor trust) and not the beneficiaries of the trust.

**Foreign person.** If you are a foreign person or the U.S. branch of a foreign bank that has elected to be treated as a U.S. person, do not use Form W-9. Instead, use the appropriate Form W-8 or Form 8233 (see Pub. 515, *Withholding of Tax on Nonresident Aliens and Foreign Entities*).

**Nonresident alien who becomes a resident alien.** Generally, only a nonresident alien individual may use the terms of a tax treaty to reduce or eliminate U.S. tax on certain types of income. However, most tax treaties contain a provision known as a "saving clause." Exceptions specified in the saving clause may permit an exemption from tax to continue for certain types of income even after the payee has otherwise become a U.S. resident alien for tax purposes.

If you are a U.S. resident alien who is relying on an exception contained in the saving clause of a tax treaty to claim an exemption from U.S. tax on certain types of income, you must attach a statement to Form W-9 that specifies the following five items.

1. The treaty country. Generally, this must be the same treaty under which you claimed exemption from tax as a nonresident alien.
2. The treaty article addressing the income.
3. The article number (or location) in the tax treaty that contains the saving clause and its exceptions.
4. The type and amount of income that qualifies for the exemption from tax.
5. Sufficient facts to justify the exemption from tax under the terms of the treaty article.

**Example.** Article 20 of the U.S.-China Income tax treaty allows an exemption from tax for scholarship income received by a Chinese student temporarily present in the United States. Under U.S. law, this student will become a resident alien for tax purposes if his or her stay in the United States exceeds 5 calendar years. However, paragraph 2 of the first Protocol to the U.S.-China treaty (dated April 30, 1984) allows the provisions of Article 20 to continue to apply even after the Chinese student becomes a resident alien of the United States. A Chinese student who qualifies for this exception (under paragraph 2 of the first protocol) and is relying on this exception to claim an exemption from tax on his or her scholarship or fellowship income would attach to Form W-9 a statement that includes the information described above to support that exemption.

If you are a nonresident alien or a foreign entity, give the requester the appropriate completed Form W-8 or Form 8233.

## Backup Withholding

**What is backup withholding?** Persons making certain payments to you must under certain conditions withhold and pay to the IRS 24% of such payments. This is called "backup withholding." Payments that may be subject to backup withholding include interest, tax-exempt interest, dividends, broker and barter exchange transactions, rents, royalties, nonemployee pay, payments made in settlement of payment card and third party network transactions, and certain payments from fishing boat operators. Real estate transactions are not subject to backup withholding.

You will not be subject to backup withholding on payments you receive if you give the requester your correct TIN, make the proper certifications, and report all your taxable interest and dividends on your tax return.

**Payments you receive will be subject to backup withholding if:**

1. You do not furnish your TIN to the requester,
2. You do not certify your TIN when required (see the instructions for Part II for details),
3. The IRS tells the requester that you furnished an incorrect TIN,
4. The IRS tells you that you are subject to backup withholding because you did not report all your interest and dividends on your tax return (for reportable interest and dividends only), or
5. You do not certify to the requester that you are not subject to backup withholding under 4 above (for reportable interest and dividend accounts opened after 1983 only).

Certain payees and payments are exempt from backup withholding. See *Exempt payee code*, later, and the separate instructions for the Requester of Form W-9 for more information.

Also see *Special rules for partnerships*, earlier.

## What is FATCA Reporting?

The Foreign Account Tax Compliance Act (FATCA) requires a participating foreign financial institution to report all United States account holders that are specified United States persons. Certain payees are exempt from FATCA reporting. See *Exemption from FATCA reporting code*, later, and the instructions for the Requester of Form W-9 for more information.

## Updating Your Information

You must provide updated information to any person to whom you claimed to be an exempt payee if you are no longer an exempt payee and anticipate receiving reportable payments in the future from this person. For example, you may need to provide updated information if you are a C corporation that elects to be an S corporation, or if you no longer are tax exempt. In addition, you must furnish a new Form W-9 if the name or TIN changes for the account; for example, if the grantor of a grantor trust dies.

## Penalties

**Failure to furnish TIN.** If you fail to furnish your correct TIN to a requester, you are subject to a penalty of \$50 for each such failure unless your failure is due to reasonable cause and not to willful neglect.

**Civil penalty for false information with respect to withholding.** If you make a false statement with no reasonable basis that results in no backup withholding, you are subject to a \$500 penalty.

**Criminal penalty for falsifying information.** Willfully falsifying certifications or affirmations may subject you to criminal penalties including fines and/or imprisonment.

**Misuse of TINs.** If the requester discloses or uses TINs in violation of federal law, the requester may be subject to civil and criminal penalties.

## Specific Instructions

### Line 1

You must enter one of the following on this line; do not leave this line blank. The name should match the name on your tax return.

If this Form W-9 is for a joint account (other than an account maintained by a foreign financial institution (FFI)), list first, and then circle, the name of the person or entity whose number you entered in Part I of Form W-9. If you are providing Form W-9 to an FFI to document a joint account, each holder of the account that is a U.S. person must provide a Form W-9.

a. **Individual.** Generally, enter the name shown on your tax return. If you have changed your last name without informing the Social Security Administration (SSA) of the name change, enter your first name, the last name as shown on your social security card, and your new last name.

**Note: ITIN applicant:** Enter your individual name as it was entered on your Form W-7 application, line 1a. This should also be the same as the name you entered on the Form 1040/1040A/1040EZ you filed with your application.

b. **Sole proprietor or single-member LLC.** Enter your individual name as shown on your 1040/1040A/1040EZ on line 1. You may enter your business, trade, or "doing business as" (DBA) name on line 2.

c. **Partnership, LLC that is not a single-member LLC, C corporation, or S corporation.** Enter the entity's name as shown on the entity's tax return on line 1 and any business, trade, or DBA name on line 2.

d. **Other entities.** Enter your name as shown on required U.S. federal tax documents on line 1. This name should match the name shown on the charter or other legal document creating the entity. You may enter any business, trade, or DBA name on line 2.

e. **Disregarded entity.** For U.S. federal tax purposes, an entity that is disregarded as an entity separate from its owner is treated as a "disregarded entity." See Regulations section 301.7701-2(c)(2)(iii). Enter the owner's name on line 1. The name of the entity entered on line 1 should never be a disregarded entity. The name on line 1 should be the name shown on the income tax return on which the income should be reported. For example, if a foreign LLC that is treated as a disregarded entity for U.S. federal tax purposes has a single owner that is a U.S. person, the U.S. owner's name is required to be provided on line 1. If the direct owner of the entity is also a disregarded entity, enter the first owner that is not disregarded for federal tax purposes. Enter the disregarded entity's name on line 2, "Business name/disregarded entity name." If the owner of the disregarded entity is a foreign person, the owner must complete an appropriate Form W-8 instead of a Form W-9. This is the case even if the foreign person has a U.S. TIN.

### Line 2

If you have a business name, trade name, DBA name, or disregarded entity name, you may enter it on line 2.

### Line 3

Check the appropriate box on line 3 for the U.S. federal tax classification of the person whose name is entered on line 1. Check only one box on line 3.

IF the entity/person on line 1 is a(n) . . .	THEN check the box for . . .
• Corporation	Corporation
• Individual • Sole proprietorship, or • Single-member limited liability company (LLC) owned by an individual and disregarded for U.S. federal tax purposes.	Individual/sole proprietor or single-member LLC
• LLC treated as a partnership for U.S. federal tax purposes, • LLC that has filed Form 8832 or 2553 to be taxed as a corporation, or • LLC that is disregarded as an entity separate from its owner but the owner is another LLC that is not disregarded for U.S. federal tax purposes.	Limited liability company and enter the appropriate tax classification. (P= Partnership; C= C corporation; or S= S corporation)
• Partnership	Partnership
• Trust/estate	Trust/Estate

### Line 4, Exemptions

If you are exempt from backup withholding and/or FATCA reporting, enter in the appropriate space on line 4 any code(s) that may apply to you.

#### Exempt payee code.

- Generally, individuals (including sole proprietors) are not exempt from backup withholding.
- Except as provided below, corporations are exempt from backup withholding for certain payments, including interest and dividends.
- Corporations are not exempt from backup withholding for payments made in settlement of payment card or third party network transactions.
- Corporations are not exempt from backup withholding with respect to attorneys' fees or gross proceeds paid to attorneys, and corporations that provide medical or health care services are not exempt with respect to payments reportable on Form 1099-MISC.

The following codes identify payees that are exempt from backup withholding. Enter the appropriate code in the space in line 4.

- 1—An organization exempt from tax under section 501(a), any IRA, or a custodial account under section 403(b)(7) if the account satisfies the requirements of section 401(f)(2)
- 2—The United States or any of its agencies or instrumentalities
- 3—A state, the District of Columbia, a U.S. commonwealth or possession, or any of their political subdivisions or instrumentalities
- 4—A foreign government or any of its political subdivisions, agencies, or instrumentalities
- 5—A corporation
- 6—A dealer in securities or commodities required to register in the United States, the District of Columbia, or a U.S. commonwealth or possession
- 7—A futures commission merchant registered with the Commodity Futures Trading Commission
- 8—A real estate investment trust
- 9—An entity registered at all times during the tax year under the Investment Company Act of 1940
- 10—A common trust fund operated by a bank under section 584(a)
- 11—A financial institution
- 12—A middleman known in the investment community as a nominee or custodian
- 13—A trust exempt from tax under section 664 or described in section 4947



The following chart shows types of payments that may be exempt from backup withholding. The chart applies to the exempt payees listed above, 1 through 13.

IF the payment is for . . .	THEN the payment is exempt for . . .
Interest and dividend payments	All exempt payees except for 7
Broker transactions	Exempt payees 1 through 4 and 6 through 11 and all C corporations. S corporations must not enter an exempt payee code because they are exempt only for sales of noncovered securities acquired prior to 2012.
Barter exchange transactions and patronage dividends	Exempt payees 1 through 4
Payments over \$600 required to be reported and direct sales over \$5,000 <sup>1</sup>	Generally, exempt payees 1 through 5 <sup>2</sup>
Payments made in settlement of payment card or third party network transactions	Exempt payees 1 through 4

<sup>1</sup> See Form 1099-MISC, Miscellaneous Income, and its instructions.

<sup>2</sup> However, the following payments made to a corporation and reportable on Form 1099-MISC are not exempt from backup withholding: medical and health care payments, attorneys' fees, gross proceeds paid to an attorney reportable under section 6045(f), and payments for services paid by a federal executive agency.

**Exemption from FATCA reporting code.** The following codes identify payees that are exempt from reporting under FATCA. These codes apply to persons submitting this form for accounts maintained outside of the United States by certain foreign financial institutions. Therefore, if you are only submitting this form for an account you hold in the United States, you may leave this field blank. Consult with the person requesting this form if you are uncertain if the financial institution is subject to these requirements. A requester may indicate that a code is not required by providing you with a Form W-9 with "Not Applicable" (or any similar indication) written or printed on the line for a FATCA exemption code.

A—An organization exempt from tax under section 501(a) or any individual retirement plan as defined in section 7701(a)(37)

B—The United States or any of its agencies or instrumentalities

C—A state, the District of Columbia, a U.S. commonwealth or possession, or any of their political subdivisions or instrumentalities

D—A corporation the stock of which is regularly traded on one or more established securities markets, as described in Regulations section 1.1472-1(c)(1)(i)

E—A corporation that is a member of the same expanded affiliated group as a corporation described in Regulations section 1.1472-1(c)(1)(i)

F—A dealer in securities, commodities, or derivative financial instruments (including notional principal contracts, futures, forwards, and options) that is registered as such under the laws of the United States or any state

G—A real estate investment trust

H—A regulated investment company as defined in section 851 or an entity registered at all times during the tax year under the Investment Company Act of 1940

I—A common trust fund as defined in section 584(a)

J—A bank as defined in section 581

K—A broker

L—A trust exempt from tax under section 664 or described in section 4947(a)(1)

M—A tax exempt trust under a section 403(b) plan or section 457(g) plan

**Note:** You may wish to consult with the financial institution requesting this form to determine whether the FATCA code and/or exempt payee code should be completed.

### Line 5

Enter your address (number, street, and apartment or suite number). This is where the requester of this Form W-9 will mail your information returns. If this address differs from the one the requester already has on file, write NEW at the top. If a new address is provided, there is still a chance the old address will be used until the payor changes your address in their records.

### Line 6

Enter your city, state, and ZIP code.

## Part I. Taxpayer Identification Number (TIN)

Enter your TIN in the appropriate box. If you are a resident alien and you do not have and are not eligible to get an SSN, your TIN is your IRS individual taxpayer identification number (ITIN). Enter it in the social security number box. If you do not have an ITIN, see *How to get a TIN* below.

If you are a sole proprietor and you have an EIN, you may enter either your SSN or EIN.

If you are a single-member LLC that is disregarded as an entity separate from its owner, enter the owner's SSN (or EIN, if the owner has one). Do not enter the disregarded entity's EIN. If the LLC is classified as a corporation or partnership, enter the entity's EIN.

**Note:** See *What Name and Number To Give the Requester*, later, for further clarification of name and TIN combinations.

**How to get a TIN.** If you do not have a TIN, apply for one immediately. To apply for an SSN, get Form SS-5, Application for a Social Security Card, from your local SSA office or get this form online at [www.SSA.gov](http://www.SSA.gov). You may also get this form by calling 1-800-772-1213. Use Form W-7, Application for IRS Individual Taxpayer Identification Number, to apply for an ITIN, or Form SS-4, Application for Employer Identification Number, to apply for an EIN. You can apply for an EIN online by accessing the IRS website at [www.irs.gov/Businesses](http://www.irs.gov/Businesses) and clicking on Employer Identification Number (EIN) under Starting a Business. Go to [www.irs.gov/Forms](http://www.irs.gov/Forms) to view, download, or print Form W-7 and/or Form SS-4. Or, you can go to [www.irs.gov/OrderForms](http://www.irs.gov/OrderForms) to place an order and have Form W-7 and/or SS-4 mailed to you within 10 business days.

If you are asked to complete Form W-9 but do not have a TIN, apply for a TIN and write "Applied For" in the space for the TIN, sign and date the form, and give it to the requester. For interest and dividend payments, and certain payments made with respect to readily tradable instruments, generally you will have 60 days to get a TIN and give it to the requester before you are subject to backup withholding on payments. The 60-day rule does not apply to other types of payments. You will be subject to backup withholding on all such payments until you provide your TIN to the requester.

**Note:** Entering "Applied For" means that you have already applied for a TIN or that you intend to apply for one soon.

**Caution:** A disregarded U.S. entity that has a foreign owner must use the appropriate Form W-8.

## Part II. Certification

To establish to the withholding agent that you are a U.S. person, or resident alien, sign Form W-9. You may be requested to sign by the withholding agent even if item 1, 4, or 5 below indicates otherwise.

For a joint account, only the person whose TIN is shown in Part I should sign (when required). In the case of a disregarded entity, the person identified on line 1 must sign. Exempt payees, see *Exempt payee code*, earlier.

**Signature requirements.** Complete the certification as indicated in items 1 through 5 below.

1. Interest, dividend, and barter exchange accounts opened before 1984 and broker accounts considered active during 1983. You must give your correct TIN, but you do not have to sign the certification.
2. Interest, dividend, broker, and barter exchange accounts opened after 1983 and broker accounts considered inactive during 1983. You must sign the certification or backup withholding will apply. If you are subject to backup withholding and you are merely providing your correct TIN to the requester, you must cross out item 2 in the certification before signing the form.
3. Real estate transactions. You must sign the certification. You may cross out item 2 of the certification.
4. Other payments. You must give your correct TIN, but you do not have to sign the certification unless you have been notified that you have previously given an incorrect TIN. "Other payments" include payments made in the course of the requester's trade or business for rents, royalties, goods (other than bills for merchandise), medical and health care services (including payments to corporations), payments to a nonemployee for services, payments made in settlement of payment card and third party network transactions, payments to certain fishing boat crew members and fishermen, and gross proceeds paid to attorneys (including payments to corporations).
5. Mortgage interest paid by you, acquisition or abandonment of secured property, cancellation of debt, qualified tuition program payments (under section 529), ABLE accounts (under section 529A), IRA, Coverdell ESA, Archer MSA or HSA contributions or distributions, and pension distributions. You must give your correct TIN, but you do not have to sign the certification.

**What Name and Number To Give the Requester**

For this type of account:	Give name and SSN of:
1. Individual	The individual
2. Two or more individuals (joint account) other than an account maintained by an FFI	The actual owner of the account or, if combined funds, the first individual on the account <sup>1</sup>
3. Two or more U.S. persons (joint account maintained by an FFI)	Each holder of the account
4. Custodial account of a minor (Uniform Gift to Minors Act)	The minor <sup>2</sup>
5. a. The usual revocable savings trust (grantor is also trustee) b. So-called trust account that is not a legal or valid trust under state law	The grantor-trustee <sup>1</sup> The actual owner <sup>1</sup>
6. Sole proprietorship or disregarded entity owned by an individual	The owner <sup>3</sup>
7. Grantor trust filing under Optional Form 1099 Filing Method 1 (see Regulations section 1.671-4(b)(2)(i)(A))	The grantor <sup>4</sup>
For this type of account:	Give name and EIN of:
8. Disregarded entity not owned by an individual	The owner
9. A valid trust, estate, or pension trust	Legal entity <sup>2</sup>
10. Corporation or LLC electing corporate status on Form 8832 or Form 2553	The corporation
11. Association, club, religious, charitable, educational, or other tax-exempt organization	The organization
12. Partnership or multi-member LLC	The partnership
13. A broker or registered nominee	The broker or nominee

For this type of account:	Give name and EIN of:
14. Account with the Department of Agriculture in the name of a public entity (such as a state or local government, school district, or prison) that receives agricultural program payments	The public entity
15. Grantor trust filing under the Form 1041 Filing Method or the Optional Form 1099 Filing Method 2 (see Regulations section 1.671-4(b)(2)(i)(B))	The trust

<sup>1</sup> List first and circle the name of the person whose number you furnish. If only one person on a joint account has an SSN, that person's number must be furnished.

<sup>2</sup> Circle the minor's name and furnish the minor's SSN.

<sup>3</sup> You must show your individual name and you may also enter your business or DBA name on the "Business name/disregarded entity" name line. You may use either your SSN or EIN (if you have one), but the IRS encourages you to use your SSN.

<sup>4</sup> List first and circle the name of the trust, estate, or pension trust. (Do not furnish the TIN of the personal representative or trustee unless the legal entity itself is not designated in the account title.) Also see *Special rules for partnerships*, earlier.

\*Note: The grantor also must provide a Form W-9 to trustee of trust.

Note: If no name is circled when more than one name is listed, the number will be considered to be that of the first name listed.

**Secure Your Tax Records From Identity Theft**

Identity theft occurs when someone uses your personal information such as your name, SSN, or other identifying information, without your permission, to commit fraud or other crimes. An identity thief may use your SSN to get a job or may file a tax return using your SSN to receive a refund.

To reduce your risk:

- Protect your SSN,
- Ensure your employer is protecting your SSN, and
- Be careful when choosing a tax preparer.

If your tax records are affected by identity theft and you receive a notice from the IRS, respond right away to the name and phone number printed on the IRS notice or letter.

If your tax records are not currently affected by identity theft but you think you are at risk due to a lost or stolen purse or wallet, questionable credit card activity or credit report, contact the IRS Identity Theft Hotline at 1-800-908-4490 or submit Form 14039.

For more information, see Pub. 5027, Identity Theft Information for Taxpayers.

Victims of identity theft who are experiencing economic harm or a systemic problem, or are seeking help in resolving tax problems that have not been resolved through normal channels, may be eligible for Taxpayer Advocate Service (TAS) assistance. You can reach TAS by calling the TAS toll-free case intake line at 1-877-777-4778 or TTY/TDD 1-800-829-4059.

Protect yourself from suspicious emails or phishing schemes. Phishing is the creation and use of email and websites designed to mimic legitimate business emails and websites. The most common act is sending an email to a user falsely claiming to be an established legitimate enterprise in an attempt to scam the user into surrendering private information that will be used for identity theft.

The IRS does not initiate contacts with taxpayers via emails. Also, the IRS does not request personal detailed information through email or ask taxpayers for the PIN numbers, passwords, or similar secret access information for their credit card, bank, or other financial accounts.

If you receive an unsolicited email claiming to be from the IRS, forward this message to [phishing@irs.gov](mailto:phishing@irs.gov). You may also report misuse of the IRS name, logo, or other IRS property to the Treasury Inspector General for Tax Administration (TIGTA) at 1-800-366-4484. You can forward suspicious emails to the Federal Trade Commission at [spam@uce.gov](mailto:spam@uce.gov) or report them at [www.ftc.gov/complaint](http://www.ftc.gov/complaint). You can contact the FTC at [www.ftc.gov/idtheft](http://www.ftc.gov/idtheft) or 877-IDTHEFT (877-438-4338). If you have been the victim of identity theft, see [www.IdentityTheft.gov](http://www.IdentityTheft.gov) and Pub. 5027.

Visit [www.irs.gov/identitytheft](http://www.irs.gov/identitytheft) to learn more about identity theft and how to reduce your risk.

## Privacy Act Notice

Section 6109 of the Internal Revenue Code requires you to provide your correct TIN to persons (including federal agencies) who are required to file information returns with the IRS to report interest, dividends, or certain other income paid to you; mortgage interest you paid; the acquisition or abandonment of secured property; the cancellation of debt; or contributions you made to an IRA, Archer MSA, or HSA. The person collecting this form uses the information on the form to file information returns with the IRS, reporting the above information. Routine uses of this information include giving it to the Department of Justice for civil and criminal litigation and to cities, states, the District of Columbia, and U.S. commonwealths and possessions for use in administering their laws. The information also may be disclosed to other countries under a treaty, to federal and state agencies to enforce civil and criminal laws, or to federal law enforcement and intelligence agencies to combat terrorism. You must provide your TIN whether or not you are required to file a tax return. Under section 3406, payers must generally withhold a percentage of taxable interest, dividend, and certain other payments to a payee who does not give a TIN to the payer. Certain penalties may also apply for providing false or fraudulent information.



## VENDOR INFORMATION FORM

Please fill in:

Business Name \_\_\_\_\_

IRS Reporting Name \_\_\_\_\_

Business Address \_\_\_\_\_

City \_\_\_\_\_ State \_\_\_\_\_ Zip \_\_\_\_\_

Telephone ( ) \_\_\_\_\_ Extension \_\_\_\_\_

Toll Free Number 800 \_\_\_\_\_

Vendor Fax Number \_\_\_\_\_

Vendor Email Address \_\_\_\_\_

Ordering Address \_\_\_\_\_

City \_\_\_\_\_ State \_\_\_\_\_ Zip \_\_\_\_\_

Telephone ( ) \_\_\_\_\_ Extension \_\_\_\_\_

Remit Address \_\_\_\_\_

City \_\_\_\_\_ State \_\_\_\_\_ Zip \_\_\_\_\_

Telephone ( ) \_\_\_\_\_ Extension \_\_\_\_\_

Contact Person: (Ordering) \_\_\_\_\_

Remit \_\_\_\_\_

**PLEASE INCLUDE THE ABOVE INFORMATION**  
**WHEN SUBMITTING YOUR BID OR PROPOSAL**

NOTE: Sections 181.23 and 185.04 of The Codified Ordinances of Cleveland, Ohio 1976 require that this affidavit, properly executed and containing all required information, accompany your bid. IF YOU FAIL TO COMPLY, YOUR BID WILL NOT BE CONSIDERED.

STATE OF \_\_\_\_\_

COUNTY OF \_\_\_\_\_

}

SS

AFFIDAVIT

\_\_\_\_\_ being first

duly sworn deposes and says:

**Individual only:** That he/she is an individual doing business under the name \_\_\_\_\_  
at \_\_\_\_\_, in  
the City of \_\_\_\_\_, State of \_\_\_\_\_

**Partnership only:** That he/she is the duly authorized representative of a partnership doing business under  
the name of \_\_\_\_\_, in  
the City of \_\_\_\_\_, State of \_\_\_\_\_

**Corporation only:** That he/she is the duly authorized, qualified and acting \_\_\_\_\_  
of \_\_\_\_\_,

a corporation organized and existing under the laws of the State of \_\_\_\_\_;  
and that said individual, said partnership or said corporation, is filling herewith a bid to the City  
of Cleveland in conformity with the foregoing specifications;

**Individual only:** Affiant further says that the following is a complete and accurate list of the names and  
addresses of all persons interested in said proposed contract: \_\_\_\_\_  
\_\_\_\_\_  
\_\_\_\_\_

Affiant further says that he/she is represented by the following attorneys:  
\_\_\_\_\_

and is also represented by the following resident agents in the City of Cleveland:  
\_\_\_\_\_  
\_\_\_\_\_

**Partnership only:** Affiant further says that the following is a complete and accurate list of names and addresses  
of the members of said partnership:  
\_\_\_\_\_  
\_\_\_\_\_  
\_\_\_\_\_

Affiant further says that said partnership is represented by the following attorneys:  
\_\_\_\_\_

and is also represented by the following resident agents in the City of Cleveland:  
\_\_\_\_\_  
\_\_\_\_\_

Corporation only: Affiant further says that the following is a complete and accurate list of the officers, directors and attorneys of said corporation:

President

Directors:

Vice President

Secretary

Treasurer

Cleveland Manager or Agent

Attorneys

And that the following officers are duly authorized to execute contracts on behalf of said corporation:

\_\_\_\_\_  
\_\_\_\_\_  
\_\_\_\_\_

Affiant further says that the bid filed herewith is not made in the interest of or on behalf of any undisclosed person, partnership, company, association, organization or corporation; that such bid is genuine and not collusive or sham; that said bidder has not, directly or indirectly, induced or solicited any other bidder to put in a false or sham bid, and has not, directly or indirectly, colluded, conspired, connived or agreed with any bidder or anyone else to put in a sham bid, or that anyone shall refrain from bidding; that said bidder has not in any manner, directly or indirectly, sought by agreement, communication or conference with anyone to fix the bid price of said bidder or any other bidder, or to fix any overhead, profit, or cost element of such bid price or that of any other bidder, or to secure any advantage against the City of Cleveland or anyone interested in the proposed contract; that all statements contained in such bid are true; that said bidder has not, directly or indirectly, submitted his bid price or any breakdown thereof or the contents thereof, or divulged information or data relative thereto, or paid or agreed to pay, directly or indirectly, any money, or other valuable consideration for assistance or aid rendered or to be rendered in procuring or attempting to procure the contract above referred to, to any corporation, partnership, company, association, organization, or to any member or agent thereof, or to any other individual, except to such person or persons as hereinabove disclosed to have a partnership or other financial interest with said bidder in his general business; and further that said bidder will not pay or agree to pay, directly or indirectly, any money or other valuable consideration to any corporation, partnership, company, association, organization or to any member or agent thereof, or to any other individual, for aid

or assistance in securing contract above referred to in the event the same is awarded to \_\_\_\_\_

\_\_\_\_\_  
(name of individual, partnership or corporation)

Further affiant said not.

(Sign Here) \_\_\_\_\_

Sworn to before me and subscribed in my presence this \_\_\_\_\_ day of \_\_\_\_\_

20 \_\_\_\_\_.

\_\_\_\_\_  
Notary Public

CITY OF CLEVELAND

**BID BOND**

KNOW ALL MEN BY THESE PRESENTS, That we

\_\_\_\_\_

as Principal, and

\_\_\_\_\_

a corporation duly authorized to do business in Ohio, as Surety, are held and firmly bound unto

THE CITY OF CLEVELAND

as Obligee, in the penal sum of \_\_\_\_\_

Dollars, lawful money of the United States of America, for the payment of which, well and truly to be made, we bind ourselves, our heirs, executors, administrators, successors and assigns, jointly and severally, firmly by these presents.

SIGNED, sealed and dated this \_\_\_\_\_ day of \_\_\_\_\_, 20\_\_\_\_\_.

WHEREAS, the said principal is herewith submitting bid for

\_\_\_\_\_  
\_\_\_\_\_  
\_\_\_\_\_  
\_\_\_\_\_

Now, THEREFORE, the condition of the above obligation is such that if the said principal shall execute a contract and give bond for the faithful performance within ten (10) working days after being notified in writing of the award of such contract to the principal, or if the principal or surety shall pay the obligee the sum, not exceeding the penalty hereof, by which the amount of the contract, covering the said proposal, properly and lawfully executed by and between the obligee and some third party, may exceed the amount bid by principal, then this obligation shall be void; otherwise it shall remain in full force and effect.

PRINCIPAL \_\_\_\_\_

BY: \_\_\_\_\_

TITLE \_\_\_\_\_

By \_\_\_\_\_  
Attorney in Fact

CITY OF CLEVELAND

**BID FORM**

- STANDARD CONTRACT BID
- REQUIREMENT CONTRACT BID

TO: The Commissioner of Purchases and Supplies:

BID FOR: Crossarms & Accessories 2024

FOR: The Department of: Public Utilities

The Undersigned proposes to furnish the above articles, commodities, materials, supplies, equipment or services ("items"), and to accept as full compensation therefor the price per unit multiplied by the number of units of such items purchased hereunder, (which units and prices therefor are set forth in the Schedule of Items hereto attached and made part of this bid) and subject to any discount set forth in this bid.

The Undersigned further proposes to execute the Contract Agreement and to furnish satisfactory performance bond within ten (10) working days, excluding Saturdays, Sundays and holidays, after notice of award of contract has been received.

The Undersigned further certifies that he (as the individual, firm or corporation making this bid) is not in arrears or default to the City of Cleveland upon any debt or contract, nor is a defaulter as surety or otherwise upon any obligation to said City, nor has failed to perform faithfully any previous contract with said City and that there is no suit or claim pending as to any such arrears or default.

The Undersigned deposits with the bid a Bid Bond to the City of Cleveland signed by a surety company authorized to do business in Ohio, in the sum of \$ \_\_\_\_\_

or a cashier's check or certified check on a solvent bank in the sum of \$ \_\_\_\_\_ payable to the City of Cleveland, as security that if he be awarded the contract, he will enter into a written contract and secure the performance of the same by a bond as required of an approved surety company authorized to do business in Ohio and satisfactory to the Director of Law, in the sum equal to the percentage of the total price bid set forth in Part B – General Conditions and in conformity with the provisions of The Codified Ordinances of Cleveland, Ohio 1976.

The Undersigned further agrees that if the bid is accepted and contract awarded and he shall fail to execute said contract and furnish the satisfactory bond, as required, within the time above specified, then the City may, at its option, declare the contract abandoned and this bid null and void. Thereupon the penal sum of the Bid Bond shall become due to the City, or the certified or cashier's check shall be forfeited to and become the property of the City as liquidated damages. Otherwise, the Bid Bond or the certified or cashier's check, or the amount of such check shall be returned to the Undersigned.

THE UNDERSIGNED UNDERSTANDS THAT THE CITY RESERVES THE RIGHT TO REJECT ANY OR ALL BIDS.

The firm, corporation, or individual name  
MUST BE SIGNED IN SPACE INDICATED. Complete: *CORPORATION OR FIRM*  
ERASURES MAY INVALIDATE THIS BID.

Sign Here By \_\_\_\_\_

If the bidder is a firm or corporation, the title  
of the officer signing and the State in which  
Incorporated must be indicated. \_\_\_\_\_  
TITLE OF OFFICER

\_\_\_\_\_  
BUSINESS ADDRESS OF BIDDER

\_\_\_\_\_  
STATE OF INCORPORATION



## BID SCHEDULE OF ITEMS

**City of Cleveland**  
**Division of Purchases and Supplies**  
**128 City Hall**  
**Cleveland, Ohio 44114**

**BIDDER MUST  
COMPLETE AND SIGN BELOW**

<b>TITLE OF BID</b> Purchase of Crossarms and Accessories 2024	<b>NAME OF FIRM</b>
---	---------------------

<b>ORDINANCE NO.</b> 1630-92 Sec. 129.26	<b>PASSED:</b> September 21, 1992	<b>SIGNED:</b> September 25, 1992	<b>STREET ADDRESS</b>
---	--------------------------------------	--------------------------------------	-----------------------

<b>DEPARTMENT</b> Public Utilities	<b>DIVISION</b> Cleveland Public Power	<b>CITY STATE ZIP CODE</b>
---------------------------------------	---	----------------------------

<b>CITY RECORD ADVERTISEMENT DATES</b>	<input checked="" type="checkbox"/> <b>STANDARD CONTRACT BID</b> <input type="checkbox"/> <b>REQUIREMENT CONTRACT BID</b>	<b>AUTHORIZED SIGNATURE</b>
--	--	-----------------------------

<b>BUYER</b> Division of Purchases and Supplies (216)664-2620 purchasing@clevelandohio.gov	<b>BID OPENING:</b> 12:00 O'CLOCK NOON OFFICIAL TIME	<b>DATE:</b>
--	--	--------------

DESCRIPTION	QTY	UOM	UNIT PRICE	EXTENSION
-------------	-----	-----	------------	-----------

**Group A - Wood Crossarms**

1 4 Pin Standard Crossarms (3-1/4" x 4-1/4" x 5'7") (CPP# to be assigned) (CPP Dwg. 3636-S1) Manufacturer: _____ Part Number: _____	10	Ea.	\$ _____	\$ _____
2 6 Pin Standard Crossarms (3-1/4" x 4-1/4" x 8'0") (CPP #005500) (CPP Dwg. 3636-S1) Manufacturer: _____ Part Number: _____	1000	Ea.	\$ _____	\$ _____
3 8 Pin Standard Crossarms (3-1/4" x 4-1/4" x 10'5") (CPP #005600) (CPP Dwg. 3636-S1) Manufacturer: _____ Part Number: _____	100	Ea.	\$ _____	\$ _____
4 6 Pin Heavy Duty Crossarms (4" X 5" X 8'0") (CPP# to be assigned) (CPP Dwg. 3636-S1) Manufacturer: _____ Part Number: _____	10	Ea.	\$ _____	\$ _____
5 8 Pin Heavy Duty Crossarms (4" X 5" X 10'5") (CPP #005650)(CPP Dwg. 3636-S1) Manufacturer: _____ Part Number: _____	100	Ea.	\$ _____	\$ _____
6 Heavy Duty Construction Timbers (4" x 6" x 20') (CPP #005510) Manufacturer: _____ Part Number: _____	10	Ea.	\$ _____	\$ _____
7 Miscellaneous - Line Item Allocation for Cross Arm Items not specifically listed in Group A, See Section C, Item #7. Available only to bidders with full group bid.	Discount		_____%	\$25,000.00

**Group A - Total Bid**

\$ \_\_\_\_\_

THE CONTRACT, IF ANY, SHALL BE FOR A PERIOD OF ONE (1) YEAR, ALL QUANTITIES ARE APPROXIMATE.	Delivery Days	Payment Discount
--	------------------	---------------------

ALL OF THIS BOUND INFORMATION MUST BE KEPT INTACT AND, TOGETHER WITH ANY ADDENDA ISSUED, MUST BE RETURNED WITH THE BID. OTHERWISE, THE BID MAY BE CONSIDERED INFORMAL.

% Days

**For Purchasing use Only**

TITLE OF BID		NAME OF FIRM		
Purchase of Crossarms and Accessories 2024				
AUTHORIZED SIGNATURE		DATE		
DESCRIPTION	QTY	UOM	UNIT PRICE	EXTENSION
<b>Group B - Hot Dip Galvanized Steel Braces</b>				
1 Steel/Cross-Arm/Alley Arm (1-3/4" x 1-3/4" x 3/16" x 84") (CPP# 077400) (Hubbell 6984 or Equivalent) (Maclean J1525 or Equivalent) Manufacturer: _____ Part Number: _____	20	Pr.	\$ _____	\$ _____
2 Steel/Side-Arm/Alley Arm (1-3/4" x 1-3/4" x 3/16" x 50 ") (CPP# to be assigned) (Hubbell 6999 or Equivalent) (Maclean J1442 or Equivalent) Manufacturer: _____ Part Number: _____	10	Pr.	\$ _____	\$ _____
3 Miscellaneous - Line Item Allocation for Cross Arm Items not specifically listed in Group B, See Section C, Item #7. Available only to bidders with full group bid.	Discount		_____ %	\$25,000.00
<b>Group B - Total Bid</b>				\$ _____
<b>Group C – High Density Apitong Wood Crossarms and Braces</b>				
1 Narrow Profile Conductor Support (CPP# to be assigned) (per CPP dwg BC-1) (2-11/16"square section) (Aluma-Form #NPS-48 or equivalent) Manufacturer: _____ Part Number: _____	20	Ea.	\$ _____	\$ _____
2 2-Pos/Dead-End Arm Assembly (CPP# to be assigned) (per CPP dwg DE-1) (2-11/16" x 5-1/2" section) (Aluma-Form #DEA-48-EB or equivalent) (CMC Cat. #BDEA-48-EB or equivalent) Manufacturer: _____ Part Number: _____	20	Ea.	\$ _____	\$ _____
3 8' Braceless Dead-end Assembly (3-conductor) (CPP# to be assigned) (per CPP dwg DE-2)(2-11/16" x 5-1/2" section) (Aluma-Form #DEA-86-EB or equivalent) Manufacturer: _____ Part Number: _____	20	Ea.	\$ _____	\$ _____
4 8' Braceless Dead-end Assembly (HD)(4-conductor) (CPP# to be assigned) (per CPP dwg DE-3)(4-1/4" x 5-1/2" section) (Aluma-Form #HD-DEA-3/4-86-EB-BUA or equivalent) Manufacturer: _____ Part Number: _____	20	Ea.	\$ _____	\$ _____
THE CONTRACT, IF ANY, SHALL BE FOR A PERIOD OF ONE (1) YEAR, ALL QUANTITIES ARE APPROXIMATE.			Delivery Days	Payment Discount
ALL OF THIS BOUND INFORMATION MUST BE KEPT INTACT AND, TOGETHER WITH ANY ADDENDA ISSUED, MUST BE RETURNED WITH THE BID. OTHERWISE, THE BID MAY BE CONSIDERED INFORMAL.				% Days
<b>For Purchasing use Only</b>				

TITLE OF BID			NAME OF FIRM	
Purchase of Crossarms and Accessories 2024				
AUTHORIZED SIGNATURE			DATE	
DESCRIPTION	QTY	UOM	UNIT PRICE	EXTENSION
<b>Group C – High Density Apitong Wood Crossarms and Braces (Cont'd)</b>				
5 Crossarm Braces (1-3/4" Square) (60" span) (30" drop) (CPP# to be assigned) (Aluma-Form #RA6030 or Equivalent) (Hubbell #PSCRA6030 or Equivalent) (Maclean #JA4730R or Equivalent)  Manufacturer: _____ Part Number: _____	20	Pr.	\$ _____	\$ _____
6 Side-Arm Braces (26" hole to hole) (13/16" x 1-3/4") (CPP#77350) (Aluma-Form #AF626 or Equivalent) (Hubbell #PSCAF626 or Equivalent) (Maclean #JA5526 or Equivalent)  Manufacturer: _____ Part Number: _____	1000	Pr.	\$ _____	\$ _____
7 Under-Arm Braces (1-3/4" Square) (48" span) (14" drop) (CPP#77360) (Aluma-Form #A4814 or Equivalent) (Hubbell #PSCRA4814 or Equivalent) (CMC Cat. #BA-4814 or equivalent)  Manufacturer: _____ Part Number: _____	500	Pr.	\$ _____	\$ _____
8 84" Alley-Arm Brace W/Lineman Step (2-11/16" square) (CPP#77400) (Aluma-Form #AAB-84 or Equivalent) (Hubbell #CRAAB84LS or Equivalent) (Maclean #BAAB-84 or Equivalent)  Manufacturer: _____ Part Number: _____	20	Ea.	\$ _____	\$ _____
9 Miscellaneous - Line Item Allocation for Cross Arm Items not specifically listed in Group C, See Section C, Item #7. Available only to bidders with full group bid.	Discount		_____ %	\$25,000.00
<b>Group C - Total Bid</b>				\$ _____
<b>Group D – Fiberglass Conductor Supports</b>				
1 Round Deadend Crossarm HD (48") (CPP#005675) (Hubbell/Chance #DEH48DP or equivalent) (Maclean #GDAS48H or equivalent)  Manufacturer: _____ Part Number: _____	100	Ea.	\$ _____	\$ _____
THE CONTRACT, IF ANY, SHALL BE FOR A PERIOD OF ONE (1) YEAR, ALL QUANTITIES ARE APPROXIMATE.			Delivery Days	Payment Discount
ALL OF THIS BOUND INFORMATION MUST BE KEPT INTACT AND, TOGETHER WITH ANY ADDENDA ISSUED, MUST BE RETURNED WITH THE BID. OTHERWISE, THE BID MAY BE CONSIDERED INFORMAL.			%	Days
<b>For Purchasing use Only</b>				

TITLE OF BID			NAME OF FIRM	
Purchase of Crossarms and Accessories 2024				
AUTHORIZED SIGNATURE			DATE	
DESCRIPTION	QTY	UOM	UNIT PRICE	EXTENSION
<b>Group D – Fiberglass Conductor Supports (Cont'd)</b>				
2 1-Pos/Cutout-Arrestor/15-degree/1-Phase/18"/MD (CPP#079140) (Hubbell #1SBM18AMB or equivalent) (Maclean #G1MDA118DCB or equivalent)  Manufacturer: _____ Part Number: _____	10	Ea.	\$ _____	\$ _____
3 1-Pos/Cutout-Arrestor/15-degree/1-Phase/24"/MD (CPP#078011) (Hubbell #1SBM24AMB or equivalent) (Maclean #G1MDA124DCB or equivalent)  Manufacturer: _____ Part Number: _____	20	Ea.	\$ _____	\$ _____
4 2-Pos/Cutout-Arrestor/0-degree/1-Phase/18"/MD (CPP#079015) (Hubbell #1SBM18CTB or equivalent) (Maclean #G1MA0118DDB or equivalent)  Manufacturer: _____ Part Number: _____	40	Ea.	\$ _____	\$ _____
5 2-Pos/Cutout-Arrestor/15-degree/1-Phase/24"/HD (CPP#079040) (Hubbell #1SBH24AMTB or equivalent) (Maclean #G1HDA124ADB or equivalent)  Manufacturer: _____ Part Number: _____	20	Ea.	\$ _____	\$ _____
6 1-Pos/Cutout-Arrestor/15-degree/2-Phase/48" (CPP#078014) (Hubbell #2SBM48AMBAMB or equivalent) (Maclean #G2MDA148DCB or equivalent)  Manufacturer: _____ Part Number: _____	10	Ea.	\$ _____	\$ _____
7 1-Pos/Cutout-Arrestor/0-degree/3-Ph/36"x13"/MD (CPP#078005) (Hubbell #3SBM3613SGLB or equivalent) (Maclean #G3MA013613DCB or equivalent)  Manufacturer: _____ Part Number: _____	10	Ea.	\$ _____	\$ _____
THE CONTRACT, IF ANY, SHALL BE FOR A PERIOD OF ONE (1) YEAR, ALL QUANTITIES ARE APPROXIMATE.			Delivery Days	Payment Discount
ALL OF THIS BOUND INFORMATION MUST BE KEPT INTACT AND, TOGETHER WITH ANY ADDENDA ISSUED, MUST BE RETURNED WITH THE BID. OTHERWISE, THE BID MAY BE CONSIDERED INFORMAL.				% Days
<b>For Purchasing use Only</b>				

TITLE OF BID			NAME OF FIRM	
Purchase of Crossarms and Accessories 2024				
AUTHORIZED SIGNATURE			DATE	
DESCRIPTION	QUANTITY	UOM	UNIT PRICE	EXTENSION
<b>Group D – Fiberglass Conductor Supports (Cont'd)</b>				
8 2-Pos/Cutout-Arrestor/0-degree/3-Phase/36" (CPP#078017) (Hubbell #3SBM3613CTB or equivalent) (Maclean #G3MA013613DDB or equivalent) Manufacturer: _____ Part Number: _____	10	Ea.	\$ _____	\$ _____
9 3-Pos/Cutout-Arrestor/15-degree/3-Ph/48"x13"/HD (CPP#078008) (Hubbell #3SBH4813CLH or equivalent) (Maclean #G3HAA14813ATB or equivalent) Manufacturer: _____ Part Number: _____	10	Ea.	\$ _____	\$ _____
10 Dual-Phase/Alley Arm/Heavy Duty (CPP#078021) (Flagg#7581-2P-3814NT or equivalent) (Maclean #G1HDA33814DV1 or equivalent) Manufacturer: _____ Part Number: _____	10	Ea.	\$ _____	\$ _____
11 1-Phase/Vertical Pin/Standoff/15-degree/24"/HD (CPP#078680) (Hubbell #1SBH24V1 or Equivalent) (Maclean #G1HDA124DV1 or Equivalent) Manufacturer: _____ Part Number: _____	10	Ea.	\$ _____	\$ _____
12 1-Phase/Vertical Pin/Standoff/15-degree/30"/HD (CPP#078683) (Hubbell #1SBH30V1 or Equivalent) (Maclean #G1HDA130DV1 or Equivalent) Manufacturer: _____ Part Number: _____	10	Ea.	\$ _____	\$ _____
13 2-Phase/Vertical Pin/Standoff/15-degree/36" / HD (CPP#079030) (Hubbell #2SBH36VV1 or Equivalent) (Maclean #2GHDA236DV1 or Equivalent) Manufacturer: _____ Part Number: _____	40	Ea.	\$ _____	\$ _____
THE CONTRACT, IF ANY, SHALL BE FOR A PERIOD OF ONE (1) YEAR, ALL QUANTITIES ARE APPROXIMATE.			Delivery Days	Payment Discount
ALL OF THIS BOUND INFORMATION MUST BE KEPT INTACT AND, TOGETHER WITH ANY ADDENDA ISSUED, MUST BE RETURNED WITH THE BID. OTHERWISE, THE BID MAY BE CONSIDERED INFORMAL.				% Days
			<b>For Purchasing use Only</b>	

TITLE OF BID			NAME OF FIRM	
Purchase of Crossarms and Accessories 2024				
AUTHORIZED SIGNATURE			DATE	
DESCRIPTION	QTY	UOM	UNIT PRICE	EXTENSION
<b>Group D – Fiberglass Conductor Supports (Cont'd)</b>				
14 2-Phase/Vertical Pin/Standoff/15-degree/48"/HD (CPP#078027) (Hubbell #2SBH48VV1 or Equivalent) (Maclean #G2HDA248DV1 or Equivalent) Manufacturer: _____ Part Number: _____	10	Ea.	\$ _____	\$ _____
15 3-Phase/Vertical Pin/Standoff/15-degree/36"/HD (CPP#079050) (Hubbell #3SBH3624VV1 or Equivalent) (Maclean #G3HDV13624DY1 or Equivalent) Manufacturer: _____ Part Number: _____	20	Ea.	\$ _____	\$ _____
16 3-Phase/Vertical Pin/Standoff/15-degree/48"/HD (CPP#078670) (Hubbell #3SBH4828VV1 or Equivalent) (Maclean #G3HDV14828DY1 or Equivalent) Manufacturer: _____ Part Number: _____	10	Ea.	\$ _____	\$ _____
17 1-Phase/Horizontal Pin/Standoff/15-degree/15"/MD (CPP#079010) (Hubbell #1SBM15H1 or Equivalent) (Maclean #G1MDA115AS1 or Equivalent) Manufacturer: _____ Part Number: _____	10	Ea.	\$ _____	\$ _____
18 1-Phase/Horizontal Pin/Standoff/15-degree/18"/HD (CPP#079020) (Hubbell #1SBH18H1 or Equivalent) (Maclean #G1HDA118AS1 or Equivalent) Manufacturer: _____ Part Number: _____	10	Ea.	\$ _____	\$ _____
19 1-Phase/Horizontal Pin/Standoff/15-degree/24"/HD (CPP#079035) (Hubbell #1SBH24H1 or Equivalent) (Maclean #G1HDA124AS1 or Equivalent) Manufacturer: _____ Part Number: _____	10	Ea.	\$ _____	\$ _____
THE CONTRACT, IF ANY, SHALL BE FOR A PERIOD OF ONE (1) YEAR, ALL QUANTITIES ARE APPROXIMATE.			Delivery Days	Payment Discount
ALL OF THIS BOUND INFORMATION MUST BE KEPT INTACT AND, TOGETHER WITH ANY ADDENDA ISSUED, MUST BE RETURNED WITH THE BID. OTHERWISE, THE BID MAY BE CONSIDERED INFORMAL.				% Days
			<b>For Purchasing use Only</b>	

TITLE OF BID		NAME OF FIRM		
Purchase of Crossarms and Accessories 2024				
AUTHORIZED SIGNATURE		DATE		
DESCRIPTION	QTY	UOM	UNIT PRICE	EXTENSION
<b>Group D – Fiberglass Conductor Supports (Cont'd)</b>				
20 Pin/Jumper/Medium Duty / 18" (CPP# to be assigned) (Hughes Brothers #CF793-18-5C or Equivalent) (Hubbell/Chance #1XPM181SC5 or Equivalent) (Flagg#7561-JP-618 or equivalent) Manufacturer: _____ Part Number: _____	10	Ea.	\$ _____	\$ _____
21 Pin/Jumper/Medium Duty / 24" (CPP#423200) (Hughes Brothers #CF793-24-5C or Equivalent) (Hubbell/Chance #1XPM241SC5 or Equivalent) (Flagg#7561-JP-624 or equivalent) Manufacturer: _____ Part Number: _____	10	Ea.	\$ _____	\$ _____
22 Pin/Pole-top/Ridge/13" (CPP#423810) (Hubbell/Chance #RPM131SC or Equivalent) (Hughes Brothers #CF500-13AC or Equivalent) (Maclean #G1MDR113AS1SC or Equivalent) Manufacturer: _____ Part Number: _____	10	Ea.	\$ _____	\$ _____
23 Pin/Pole-Top/Ridge/18" CPP#423815) (Hubbell/Chance # RPM181SC or Equivalent) Hughes Brothers #CF500-18AC or Equivalent) (Maclean #G1MDR118AS1SC or Equivalent) Manufacturer: _____ Part Number: _____	10	Ea.	\$ _____	\$ _____
24 Miscellaneous - Line Item Allocation for Cross Arm Items not specifically listed in Group D, See Section C, Item #7. Available only to bidders with full group bid.				\$25,000.00
<b>Group D - Total Bid</b>				\$ _____
<b>BID TOTAL FOR ALL GROUPS (A through D)</b>				\$ _____
THE CONTRACT, IF ANY, SHALL BE FOR A PERIOD OF ONE (1) YEAR, ALL QUANTITIES ARE APPROXIMATE.			Delivery Days	Payment Discount
ALL OF THIS BOUND INFORMATION MUST BE KEPT INTACT AND, TOGETHER WITH ANY ADDENDA ISSUED, MUST BE RETURNED WITH THE BID. OTHERWISE, THE BID MAY BE CONSIDERED INFORMAL.				% Days
<b>For Purchasing use Only</b>				

## GENERAL CONDITIONS

**B-1 CONSIDERATION OF BIDS.**

All bids received in conformity with the Invitation to Bid shall be endorsed with the contract or advertisement name or number and name and address of the bidder. All bids, immediately after being read, shall be tabulated and summarized and shall become public record in the office of the Commissioner of Purchases and Supplies.

**B-2 UNACCEPTABLE BIDS.**

No bid will be accepted from, nor a contract awarded to, any person, firm or corporation that is in arrears or is in default to the City upon any debt or contract, or is a defaulter as surety or otherwise upon any obligation to the City, or has failed to perform faithfully on any previous contract with the City of Cleveland.

**B-3 REJECTION OR ACCEPTANCE OF BIDS.**

The City through the Board of Control shall have the right to reject any or all bids, parts of such bid, and reserves the right to waive any informalities in the bid. In addition to bid price and discount, the City reserves the right to consider all elements entering into the question of determining the responsibility of the bidder. Any bid which is incomplete, conditional, obscure, contains additions not called for, or irregularities of any kind, may be cause for rejection of the bid.

**B-4 EVIDENCE OF ABILITY TO FULFILL CONTRACT.**

Bidders must present evidence to the Commissioner of Purchases and Supplies, when required by him to do so, to show they are fully competent and have the necessary source of supply, facilities and pecuniary resources to fulfill the conditions of the contract and specifications.

**B-5 WITHDRAWAL OF BID.**

No bid may be withdrawn after it has been deposited with the Commissioner of Purchases and Supplies.

**B-6 TIME OF AWARD.**

The Board of Control of the City of Cleveland shall make an award or reject all bids not later than the second regular meeting of said Board following the opening of bids, unless further time is required to analyze bids, to investigate responsibility of any bidder, or in the absence of a time limitation for acceptance set forth in the bid.

Any extension of time beyond the date fixed by the successful bidder or the fourth regular meeting of the Board of Control, whichever event shall occur first, shall be subject to agreement between said bidder and the Board.

**B-7 AWARD CONTRACT.**

No contract shall be awarded without the approval of the Board of Control, and then only to the lowest and best bidder.



**B-8 PERFORMANCE BOND.**

A. Contracts for the purchase of articles, supplies, commodities, materials, equipment or services shall be secured by a bond in the form and content prescribed by and acceptable to the Director of Law, with good and sufficient sureties and in an amount equal to at least twenty-five percent (25%) of the contract price on materials supplied and at least fifty percent (50%) of the contract price on services supplied. A check is not acceptable in place of a performance bond. A performance bond is not required for standard purchase and requirements contracts awarded in the amount of \$500,000.00 or less, except that standard purchase and requirements contracts that are labor and materials contracts including, but not limited to painting, carpentry, plumbing, electrical, masonry, landscaping, snow plowing, fencing and trucking over \$100,000 but not more than \$250,000 shall require a bond of at least twenty-five percent of the contract price, and over \$250,000 but not more than \$500,000 shall require a bond of at least fifty percent of the contract price. The above policy notwithstanding, the City of Cleveland reserves the right to require a performance bond in various amounts or to modify the performance bond requirement whenever it is determined to be in the best interest of the City of Cleveland to do so.

B. No performance bond will be required on any contract in the amount of \$500,000 or less issued pursuant to this Invitation to Bid (ITB). Any contract over \$500,000 shall require a bond of twenty-five percent (25%) of the contract price.

**B-9 RELEASE OF BOND.**

Whenever a performance bond is required, the performance bond will not be released until all the provisions of the contract have been fulfilled.

**B-10 CANCELLATION OF CONTRACT.**

The City shall have the right to cancel this contract on five (5) days written notice if, in the opinion the Commissioner of Purchases and Supplies, the delivery of materials, supplies or equipment or the performance of work or services are not in accordance with contract specifications and the contractor fails to cure such deficiencies or comply with the contract specifications within ten (10) days after receipt of notice of default from the City, except where fulfillment of its obligation requires activity over a period of time and it has, within ten (10) days of the default notice commenced such activity. Additionally, the City shall have the right to cancel this contract, without cause, upon fifteen (15) days written notice upon the determination of the Board of Control of the City, expressed through its resolution, to do so.

**B-11 SUBCONTRACTING OR ASSIGNMENT OF CONTRACT.**

a. The contractor shall not subcontract, sublet, assign, transfer, convey or otherwise dispose of the contract, its duties, rights, title or interest in it or in any part thereof, or assign, by power of attorney or otherwise, any of the monies due or to become due under the contract, except, in each instance, with the prior written authorization of the Board of Control of the City, expressed through its resolution, and then only upon such terms and conditions as may be agreed to by said Board. No such subcontracting, subletting, assignment, transfer, conveyance or other disposal of the contract shall be valid until filed in the office of the Commissioner of Accounts.

b. Prior written Board of Control consent is required for a City contractor to add a subcontractor, or to substitute one subcontractor for another subcontractor, under a City contract.

c. The City assumes no obligation to pay, and will not pay, a contractor for any work and or services performed by a sub-contractor on the contract prior to Board of Control approval of that sub-contractor.

d. The Director will not grant any City contractor additional time to meet project deadlines, and will not authorize or pay additional compensation or delay damages of any kind arising from the contractor's inability to add or substitute a subcontractor because the contractor failed to submit the approval request and supporting documentation at least 3 (three) weeks in advance of the date the additional or substitute sub-contractor is needed.

e. The Office of Equal Opportunity shall evaluate each subcontractor addition and substitution for increased CSB, MBE, or FBE participation even if the original contract had no certified sub-contractor participation.

f. The City's Sub-contractor Addition and Substitution Policy and Procedure is hereby incorporated by reference in its entirety. The complete document is available online at the City of Cleveland website: <http://www.city.cleveland.oh.us>.

**B-12 DELAY FOR CAUSES BEYOND CONTROL.**

If the contractor is delayed in complying with the terms of the contract by strikes, lockouts, fire, unusual delay by common carriers, unavoidable casualties, or any cause beyond the contractor's control including orders, limitations or restrictions of any Governmental agency having jurisdiction over the subject matter of the contract, or by delay authorized by the City, or for any cause by which the director shall decide to justify the delay; then for all such delays and suspensions, the contractor shall be allowed one calendar day extension beyond the time fixed for compliance with the terms of the contract for each and every calendar day of such delay so caused in the completion of the work, the same to be ascertained by the director.

**B-13 PATENTS.**

The Contractor shall be required to pay all royalties and license fees and shall hold and save the City and its officers, agents, servants and employees harmless from liability of any nature or kind, including cost and expenses, for or on account of any patented or unpatented invention, process, article, or appliance manufactured or used in the performance of the contract, including its use by the City of Cleveland unless otherwise specifically stipulated in the contract documents. In this respect the contractor shall defend all suits or claims for infringement of any patent or license rights.

**B-14 DELIVERY.**

The vendor shall adhere to all stipulated delivery terms (e.g., material / service delivery upon a pre-set schedule, upon orders being placed, etc.). All service performance / material deliveries should be made only if the City of Cleveland has issued a valid, open Purchase Order (PO) with a sufficient free balance to

cover the full costs of the service being performed or materials being delivered. The City will not pay vendors for goods or services that are either delivered to the City under an invalid or unauthorized PO or were ordered using an expired contract. The City is not responsible for, and will not pay for, goods or services delivered to the City that are not authorized under the PO and contract under which a sale was purportedly made. Therefore, the vendor must not perform any services nor deliver any materials without a valid, open PO that authorizes the services / materials and that carries a sufficient free balance to cover the services / materials.

Upon delivery, some form of delivery documentation must be left with the City of Cleveland Department. For service performed, some Proof of Service documentation must be given to a City employee. For materials delivered, some Proof of Delivery or Packing Slip must be given to a City employee. In all instances, the delivery documentation must be signed and dated by a City employee in order to substantiate the services provided or materials delivered were as indicated on the documentation. City employees are charged with performing this verification, so vendors should allow adequate time for this review to occur. Failure to provide some delivery documentation, which received a City signature and date upon delivery, may result in payment delays.

**B-15 LABORATORY TEST.**

The City of Cleveland reserves the right to test all materials, equipment or supplies delivered during the life of the contract, at an independent laboratory to be designated by the Commissioner of Purchases and Supplies of the City of Cleveland. Where the result of such test shows the materials, equipment or supplies are not equal to the specifications, then the expense of making such test shall be paid by the contractor.

**B-16 FAILURE TO MEET SPECIFICATIONS.**

The delivery of any material, supplies or equipment or the performance of any work or services under the contract which do not conform to contract specifications will be rejected and the contractor notified immediately in writing of such rejection and the reason therefore. If the time for performance has not expired, and the contractor wishes to remedy the deficient materials, supplies or equipment or performance, it may notify the Commissioner of Purchases and Supplies of its intention to cure and may within ten (10) days make a conforming delivery of performance unless such time is extended in writing by said Commissioner. If said contractor fails to replace such nonconforming materials, supplies or equipment or otherwise cure such deficient performance of work or services, the City of Cleveland will purchase such materials, supplies or equipment or obtain the performance of such work or services of the character required on the open market or in case of work and services, by performance by City employees. In such event, the contractor and his surety shall be liable to the City for any excess costs and expenses thereby incurred.

**B-17 SAFEGUARDS.**

Any equipment to be furnished by the terms of this bid, shall be provided with safety controls, guards, and housing meeting the requirements of the safety standards of the Industrial Commission and the Department of Industrial Relations of Ohio, and the cost shall be included as part of the bid.

**B-18 STATE OR FEDERAL TAXES.**

- a. The City of Cleveland is exempt from all sales, excise and transportation taxes, except State of Ohio gasoline tax. The price or prices bid shall be exclusive of all such taxes and will be so construed.
- b. The contract price is subject to increase by the amount of any additional tax imposed by the Federal Government or the State of Ohio subsequent to the receipt of bids. Such claim for increased prices must be presented to the City within thirty (30) days after such tax becomes effective and supported by evidence satisfactory to the Director of Law.
- c. The contract price is subject to reduction by that amount by which an applicable tax is reduced during the period of the contract.

**B-19 SOCIAL SECURITIES ACT/EMPLOYEES BENEFIT PAYMENTS.**

The contractor shall be and remain an independent contractor with respect to all services performed under said contract, and agrees to and accepts full and exclusive liability for the payment of any and all contributions or taxes for social security, unemployment insurance, old age retirement benefits, pensions, or annuities now or hereafter imposed under any state or federal law, which are measured by the terms of this contract and further agrees to obey all lawful rules and regulations and to meet all lawful requirements which are now or hereafter may be issued or promulgated under said respective laws by and duly authorized state or federal officials and said contractor also agrees to indemnify and save harmless the City of Cleveland from an such contributions or taxes or liability therefore.

**B-20 FREIGHT ON DIRECT SHIPMENTS TO THE CITY.**

The freight prices made in the bid are to be in accordance with lawful freight or cartage charges in existence at the time the bid is made, and contract prices shall be increased or decreased by changes in the freight or cartage rates, provided that claims for additional freight or cartage be presented to the City of Cleveland within thirty (30) days after said advance in freight or cartage rates becomes effective. Reductions in freight or cartage prices will be deducted from the contract price.

**B-21 INVOICING AND PAYMENT.**

The Contractor shall submit invoices that appropriately reflect the work performed. Original Invoices must be typed and legible. The City of Cleveland does not pay from duplicates or copies. Each invoice must be mailed as specified below:

- Original invoice to address as shown on Purchase Order under "BILL TO:"
- Optional: Copy of invoice to the City of Cleveland, Division of Accounts, 601 Lakeside Avenue, Cleveland, OH 44114, clearly marked "COPY".
- Address invoice questions first to the ordering department. The Division of Accounts will assist if the Department is unable to resolve the question.

The failure to deliver copies of invoices to the indicated location may lead to delays in payment.

Invoices submitted by the Contractor for payment must include the following information:

- Contractor Name, as it appears on the Contract;
- Contractor Mailing Address;
- Contractor Telephone Number;
- Contractor Facsimile Number;
- Contract Number;
- Purchase Order (PO) Number under which the work being invoiced was authorized;
- Contractor Invoice Number, which must be a unique (non-recurring) number;
- Invoice Date, reflecting the date that the invoice itself was issued to ;
- Timeframe that the invoice covers;
- A detailed itemization of labor and materials provided, including:
  - Date that work was performed / material delivered,
  - Location for each item of service performed / material delivered,
  - Line Item Number from the Contract's Schedule of Items (SOI) that is being invoiced,
  - Quantity of items being invoiced under each Line Item,
  - Unit Cost of each Line Item,
  - Extended Cost by each Line Item.
- delivery documentation (e.g., Proof of Service / Delivery slip, Packing Slip, etc.) with an acknowledgement signature and date from a City of Cleveland employee;

The City of Cleveland is not subject to sales tax per Section 5739.01 (B)(1) O.R.C. Therefore invoices must not charge sales tax. The City's Tax Exemption Number is 34-6000646. Tax Exemption Certificates are available upon request from the Division of Purchases and Supplies.

Any applicable discounts, as stipulated through the contract and/or PO, must be itemized and applied to the invoice. Any special instructions contained within the contract must also be followed.

If any invoice is erroneous or does not include the above required information, the City shall inform the supplier as to the reasons thereof and any corrective actions necessary to qualify the invoice for payment by the City. The vendor is responsible for providing the delivery documentation at the time of delivery and for submitting the invoice.

#### **B-22 EQUAL OPPORTUNITY.**

This contract is a contract, and contractor is a contractor within the meaning of Chapter 187 of the Codified Ordinances of Cleveland, Ohio 1976. During the term, the contractor shall comply with all terms, conditions and requirements imposed on "contractor" in the Equal Opportunity Clause, Section 187.22(b) of

the Codified Ordinances of Cleveland, Ohio 1976, attached hereto and made a part hereof. A copy of such clause shall be made a part of every subcontract of agreement entered into for goods or services and shall be binding on all persons, firms and corporations with whom the contractor may deal.

**PARAGRAPHS B-23 AND B-24 APPLY ONLY IF THE REQUIREMENT CONTRACT BID BLOCK IS MARKED ON BID PAGE 1 OF BID AND ON BID FORM.**

**B-23 DURATION OF CONTRACT.**

The proposed contract shall be effective upon its execution and approval by the Director of Law of the City of Cleveland and, for the purpose of accepting delivery, shall continue in full force and effect for the period specified in the specifications and/or the Schedule of Items section of the bid, unless otherwise indicated.

**B-24 REDUCTION IN PRICES.**

The contractor agrees that if the price to the general trade is reduced while the contract is in effect, the City of Cleveland will receive the benefit of such reduction immediately. However, if the contract price is below the price to the general trade at the time the contract is awarded, the reduction provision will be effective only when the recognized price to the general trade reaches a level lower than the contract price or when the contractor reduces his own price to a level lower than the contract price.

**B-25 EIGHT-HOUR DAY, MINIMUM WAGE, AND NON-DISCRIMINATION.**

The Contractor agrees that it shall comply with the following provisions of the Charter of the City of Cleveland, which are, respectively, as follows:

Section 196. Except in case of extraordinary emergencies; not to exceed eight (8) hours will constitute a day's work and not to exceed forty eight (48) hours a week's work, for any City employee of the City of Cleveland in the classified service thereof, and for any workmen engaged in public work carried on or aided by the municipality whether done by contract or otherwise. The Council shall by ordinance, provide for the enforcement of the provisions of this section.

Section 197. Every contract for public work entered into by the City of Cleveland shall contain, and no contract shall be entered into unless it contains the following stipulations:

The Contractor hereby agrees that all persons employed by him will be paid wages which are not less than are paid by the City of Cleveland for similar or like work; but if said City has not established a rate of wages for any particular class of work to be performed under the terms of this contract, then said employees shall be paid wages not less than are generally paid therefore by others employing union labor in said City.

The Contractor hereby further agrees that in the employment of labor, skilled or unskilled, under the Contract there will be no discrimination exercised against any citizen because of race, color, religion or national origin; and that any violation hereof shall be deemed a material breach of said contract.

**B-26 LAWS, PERMITS, AND REGULATIONS**

The contractor shall comply with all applicable laws of the Federal government, State, ordinances of the City or other municipality in which the work or services are being done and all applicable regulations and any authorized regulations, and shall be responsible for securing at his own expense any and all licenses, permits and certificates of inspection required by law or by the contract documents.

**SERVICES, LABOR & MATERIALS – IF THIS CONTRACT IS FOR WORK, SERVICES, OR LABOR & MATERIALS, B-27, 28 AND B-29 APPLY**

**B-27 STATE INDUSTRIAL COMPENSATION FOR PURCHASE OF LABOR AND MATERIALS.**

If this contract contains labor, whether in part or in all, the contractor shall, in all cases during the term of this contract, subscribe to and comply with the Worker's Compensation Laws of the State of Ohio and pay such premiums as may be required thereunder and to save said City harmless from any and all liability arising from said act. He shall also furnish at the time of delivery of this contract and such other times as may be requested, a copy of the official certificate or receipt showing the payments hereinbefore referred to. A copy of the official certificate or receipt showing the payments hereinbefore referred to, shall be submitted with the bid, or, if not included with the bid, shall be submitted with the signed contract. No work shall be commenced, or payments made, until the certificate or receipt is received by the City. The contractor shall maintain continuous coverage throughout the contract and shall notify the City in writing within 24 hours of receipt of notice of cancellation or reduction of coverage.

**B-28 INDEMNITY**

Contractor shall indemnify, defend, and hold harmless the City of Cleveland, Ohio, its officers, agents, and employees from all claims, demands, liabilities, loss, suits, causes of action, judgments, costs, and expenses, including attorneys' fees, arising, occurring, or allegedly arising or occurring from personal injury, including death, property damage, including loss of use, or otherwise, to any person or the property of any person, including third parties and employees of any party, as a result of negligent or intentional act or omission by Contractor or its agents, employees, subcontractors or suppliers, in performing work or services or furnishing labor and materials under this contract. This indemnification right is in addition to any other indemnification or contribution right of any indemnified party and shall survive completion of the work or services or furnishing of labor and materials.

**B-29 WARRANTY**

Contractor warrants, in addition to any other express or implied warranty required by law or the contract, that all work and services performed under this Agreement will be of good quality, free from faults and defects, conform to the contract documents, performed in a workmanlike manner according to good usage and

accepted practice, resulting in a merchantable product, and fit and suitable for their intended purpose, and that materials supplied will be of good quality and free from all defects, latent or patent.

#### **B-30 OHIO CAMPAIGN FINANCE LAW**

Pursuant to the Ohio Revised Code, as referenced below, the following language is hereby made a part of this document:

"Contractor hereby certifies that beginning on the date the contract is awarded and extending until one year following conclusion of the contract, all persons identified in Ohio Revised Code Sections 3517.13(I)(3) and 3517.13(J)(3), as applicable, are in compliance with Ohio Revised Code Sections 3517.13(I)(1) and 3517.13(J)(1)."

By submitting a signed sealed bid, those persons signing the document are affirming their compliance with the referenced sections of the Ohio Revised Code, herein incorporated into any contract created pursuant to this Invitation to Bid in its entirety.

#### **B-31 TITLE 48 C.F.R. ETC:**

Certification Re: Federal Debarment, Suspension, Ineligibility or Voluntary Exclusion: Title 48 Code of Federal Regulations, Part 9, and other regulations, preclude the City from participating in a covered transaction, as defined in subpart 9.4, with any agency, corporation, partnership, or other legal entity that has been debarred, suspended, proposed for debarment, declared ineligible, or voluntarily excluded by the Federal Government from participating in transactions involving Federal funds. By signing and submitting this document, the bidder certifies to City that it, its principals, any subcontractors, and subcontractor principals:

- 1) Are not presently debarred, suspended, proposed for debarment, declared ineligible, or voluntarily excluded by any Federal department or agency;
- 2) Have not within the three-year period immediately preceding the submission date of this document been convicted of or had a civil judgment rendered against them personally or the company for commission of fraud or a criminal offense in connection with obtaining, attempting to obtain, or performing a public (Federal, State or Local) transaction or contract under a public transaction; violation of Federal or State antitrust statutes or commission of embezzlement, theft, forgery, bribery, falsification or destruction of records, making false statements, or receiving stolen property;
- 3) Are not presently indicted for or otherwise criminally or civilly charged by a government entity (Federal, State or local) with commission of any of the offenses enumerated in paragraph (1)(b) of this certification; or,
- 4) Have not within the three-year period immediately preceding submission date of this document had one or more public transactions (Federal, State or local) terminated for cause or default.



If the bidder is unable to certify to any of these statements in this certification, such prospective participant must attach a written explanation to this bid. Failure or inability to certify to any of these statements may be cause for rejection of the bid.

The Federal Debarred Listing is available at <http://www.epls.gov/>

By submitting a signed sealed bid, those persons signing the document are affirming their compliance with the referenced sections of the Code of Federal Regulations, herein incorporated into any contract created pursuant to this Invitation to Bid in its entirety.

**SPECIFICATIONS/DESCRIPTIONS OF PRODUCTS AND / OR SERVICES  
DEPARTMENT OF PUBLIC UTILITIES – DIVISION OF CLEVELAND PUBLIC POWER**

**PURCHASE OF CROSSARMS AND ACCESSORIES 2024**

**SECTION C – SUPPLEMENTAL GENERAL CONDITIONS**

**C.1. SCOPE & CONTRACT TERM**

This specification is to provide for one or more REQUIREMENT CONTRACT(S) to furnish and deliver to Cleveland Public Power various sizes and classes of Crossarms and Accessories as described in this specification and as listed on the Bid – Schedule of Items pages. The Contract or contracts shall be for a period of One (1) year.

**C.2. CITY FORMS**

Failure to submit the following City forms properly **will** cause your bid to be non-responsive.

**A. Bid Bond**

1. Use the City's Bid Bond form.
2. Follow the instructions in Part B and C of the Bidder's Check List completely.
3. A bid bond is not required if your total bid is \$50,000.00 or less.

**B. Bid Form**

1. Indicate whether you are submitting a bid bond or a cashier's check / certified check for 5% of your bid total.
2. The information at the bottom of the page must be filled out completely and signed by an officer of the corporation or firm.

**C. Affidavit**

1. The first three lines of the affidavit must be filled out stating the state, county, and name of the person being sworn.
2. The state on page one must be the same state as the notary's commission stamp that appears at the bottom of page two.
3. Be sure that the proper lines are used on page two for signing for the person that is being sworn.
4. Fill out all necessary information on both sides of the affidavit.

Any other forms that are included in the bid package should also be filled out completely and signed where necessary and returned.

**C.3. NON-MANDATORY PRE-BID MEETING**

- A. A pre-bid meeting will be held on the date and time as per the advertisement announcement. Bidders are cautioned that questions, clarifications, and information that may result from this meeting, could affect your bid.

**SPECIFICATIONS/DESCRIPTIONS OF PRODUCTS AND / OR SERVICES  
DEPARTMENT OF PUBLIC UTILITIES – DIVISION OF CLEVELAND PUBLIC POWER**

**PURCHASE OF CROSSARMS AND ACCESSORIES 2024**

**SECTION C – SUPPLEMENTAL GENERAL CONDITIONS**

In addition, by City policy, this is the only opportunity for potential bidder to speak directly with CPP personnel prior to the award of the contract. Attendance at the pre-bid meeting is non-mandatory.

- B. The last day for questions is five (5) business days before the bid opening date. All questions must be submitted in writing to the Division of Purchasing & Supplies' attention, Email: [purchasing@clevelandohio.gov](mailto:purchasing@clevelandohio.gov), or via fax, 216-664-2177.

**C.4. GENERAL BIDDER QUALIFICATIONS**

The Vendor's company shall have been previously engaged in the supply of Crossarms and sundry materials listed in this contract. The company should have been in business for a minimum of 5 years, which must also include a minimum of 2 consecutive years, immediately prior to the date of this contract, or direct experience in the Material to be provided under this contract.

Bidders shall submit with their bid a published catalog(s) and/or sales brochures demonstrating:

- (1) That the bidder is a provider of Crossarms and sundry material to the Ohio or neighboring state and
- (2) That the bidder meets the requirements set forth in this specification.

Bidders not meeting required criteria or bids received without the preceding information shall be disqualified as non-compliant with these specifications.

**C.5. QUANTITIES**

The quantities of work to be done or material or equipment to be furnished as given for each item in the Bid Schedule of Items are approximate only. They are not guaranteed to be accurate statements and quantities to be performed or furnished under this Contract, and any departure therefrom will not be considered as valid grounds for any claim for damage or for loss of profits. CPP reserves the right to procure more or less than shown under the terms of this requirement contract.

**C.6. UNIT PRICES**

All prices quoted shall be on a per unit basis as indicated on the Bid - Schedule of Items pages and shall include all costs for handling and delivery, F.O.B. point of delivery,

**SPECIFICATIONS/DESCRIPTIONS OF PRODUCTS AND / OR SERVICES  
DEPARTMENT OF PUBLIC UTILITIES – DIVISION OF CLEVELAND PUBLIC POWER**

**PURCHASE OF CROSSARMS AND ACCESSORIES 2024**

**SECTION C – SUPPLEMENTAL GENERAL CONDITIONS**

including unloading at the designated City facility. The manufacturer's name shall be entered in the proper space on the Bid - Schedule of Items pages as designated. Pricing for the contract term shall be firm.

**C.7. MISCELLANEOUS LINE-ITEM ALLOTMENTS**

This bid contains allocations to purchase items not specifically listed after each bid group identified on the Bid – Schedule of Item pages. Bidders must submit pricing on all items within the group to receive an award for this item. The purchase of items to be procured will be based on a discount off the manufacturer's list price. The discount provided for this line item must remain in effect through the contract period.

For purchases to be secured from these line items, bidders must show a percentage off list prices or enter a "0" in the space provided on the Bid – Schedule of Item pages, if no discount is being offered. The City will then interpret this to mean that items will be sold to the City at "cost". If a discount is being offered, bidders are to enter the discounted amount in the space provided. Any discount not clearly stated will be disregarded in determining the lowest and best bid, and the price quoted will be considered a net price.

A discount will always be discounted from the original equipment manufacturer's current list price schedules and aftermarket manufacturer's price schedules. Bidders must have access to all manufacturers' materials immediately as needed. The bidder will provide the manufacturer's price pages, so discount can be verified, at the time of request for quotation.

Bidders will not use any type of price list they have prepared for their business. All prices must be from a bona fide manufacturer of the parts, equipment, materials, service and/or supplies.

Original equipment manufacturers' products will be used in the vast majority of cases. However, there may be some exceptions. Should a substitute manufacturer's item be of equal quality and significantly lower in cost, DPU may approve its use. However, the bidder will never make this assumption without approval by an authorized DPU representative. Substitutions of OEM items must be approved by an authorized DPU representative. Furthermore, the bidder will never attempt to provide a substitute manufacturer's items as a means of realizing a greater profit at the expense of the City.

**SPECIFICATIONS/DESCRIPTIONS OF PRODUCTS AND / OR SERVICES  
DEPARTMENT OF PUBLIC UTILITIES – DIVISION OF CLEVELAND PUBLIC POWER**

**PURCHASE OF CROSSARMS AND ACCESSORIES 2024**

**SECTION C – SUPPLEMENTAL GENERAL CONDITIONS**

**C.8. METHOD OF AWARD**

The City reserves the right to award a single contract for all items, or by individual items, or by groups to the lowest and best bidder(s) based on price, delivery time, discount offered and conformance to specifications as deemed advantageous after evaluation by the City. To receive an award by group, bidders must bid on all items within the group.

**C.9. EVALUATION OF BIDS**

The Department of Public Utilities will recommend rejection for bids for improper submittal of documentation, incomplete submittal of documentation and/or unsubstantiated information Within submittal. Performance, cost, timeliness, and safety shall be considered as the essence of the contract and/or contracts.

**C.10. MATHEMATICAL ERRORS**

- A. If a bidder makes any mathematical errors in the bid sheets such that some or all of the bid numbers are mathematically inconsistent with each other, the City shall correct such errors as follows. The lowest level values or unit prices shall be deemed as indicating the bidder's true intent and shall be accepted as correct. All further calculations shall then be corrected, and these corrected values shall be cascaded throughout the entire set of bid sheets, potentially affecting the bidder's final bid price. Calculations subject to such correction include, but are not limited to:
1. The summing of labor and material unit prices into a total unit price.
  2. The multiplication of unit price times quantity to arrive at the extension cost.
  3. The summing of individual line items into totals or subtotals
  4. The multiplication of any subtotals or other values by contingency percentages or other factors, if contingency allowance applies.
  5. The transferring of subtotals or values from one sheet to another
- B. If the correction of any errors influences the award of the contract, only the directly affected bidders will be notified in writing of the corrections and their affects.

**SPECIFICATIONS/DESCRIPTIONS OF PRODUCTS AND / OR SERVICES  
DEPARTMENT OF PUBLIC UTILITIES – DIVISION OF CLEVELAND PUBLIC POWER**

**PURCHASE OF CROSSARMS AND ACCESSORIES 2024**

**SECTION C – SUPPLEMENTAL GENERAL CONDITIONS**

**C.11. GUARANTEE**

The bidder shall guarantee that the material as furnished by him shall be free from all defects of design, material, and workmanship for a period of ten (10) years after delivery. He shall rectify, entirely at his own expense, any defects which may develop in the said guarantee period. The City will not pay freight or shipping charges.

**C.12. METHOD OF SHIPMENT**

All items shall be shipped as standard packages, except as noted on Delivery Orders, properly packed and identified. Successful bidder shall label all containers with labels that meet all U.S. Department of transportation (DOT) labeling requirements for hazardous contents.

**C.13. MATERIAL SAFETY DATA SHEETS**

The successful bidder shall mail Material Safety Data Sheets to:

**Anthony Missig / Safety Programs Manager  
Cleveland Public Power  
1300 Lakeside Avenue, Cleveland, Ohio 44114**

**C.14. DELIVERY**

All items to be furnished and as ordered under the terms of these specifications shall be delivered between the hours of 8:30 A.M. and 3:30 P.M., Monday through Friday, to the City of Cleveland, Cleveland Public Power, at the designated storage site.

It is imperative to call the CPP Storekeeper between the hours of 8:30 A.M. and 3:30 P.M., Monday through Friday, at (216) 664-4200 at least twenty-four (24) hours prior to the date and time of delivery to confirm the address of the CPP warehouse facility.

**Contractor delivery, as specified herein, shall be made within fifteen (15) Business days of receipt of written order for any quantity.**

Lots shall be in amounts required by Cleveland Public Power.

The trucks used for the delivery of contract items shall be equipped with a self-unloader for unloading by the driver.

**SPECIFICATIONS/DESCRIPTIONS OF PRODUCTS AND / OR SERVICES  
DEPARTMENT OF PUBLIC UTILITIES – DIVISION OF CLEVELAND PUBLIC POWER**

**PURCHASE OF CROSSARMS AND ACCESSORIES 2024**

**SECTION C – SUPPLEMENTAL GENERAL CONDITIONS**

To facilitate unloading, all items which are of a size which makes them hard to handle or are heavy are to be delivered in open trucks without any additional charges.

Storekeeper may refuse delivery of any items which do not meet the conditions stated above. Removal and replacement of any items which are refused shall be the sole responsibility of the contractor and shall be at no additional cost to the city.

**C.15. PREFERENCE FOR RECYCLED MATERIALS**

Whenever the total price submitted by a bidder who includes recycled products and materials does not exceed by more than 5% the lowest price bid without recycled products and materials, will be given preference provided that those recycled products and materials are readily procurable and are of equal or superior quality to products and materials made from non-recycled materials.

**C.16. INVOICING AND PAYMENT** (Supplemental to General Condition B-21)

**A. INVOICING**

The vendor shall submit invoices that appropriately reflect the material provided. Invoices must be typed and legible. Each invoice must be mailed as specified below:

Original invoice to the Department of Public Utilities, ATTN: Payable Unit, 1201 Lakeside Avenue, 4<sup>th</sup> Floor South, Cleveland, OH 44114. The email address is [Payables\\_Unit@ClevelandWater.com](mailto:Payables_Unit@ClevelandWater.com)

1. The failure to delivery copies of invoices to the indicated location may lead to delays in payment.
2. A copy of the invoice should be delivered to the CPP location as listed on the delivery order.

**B. PAYMENT**

3. The vendor must adhere to the terms set forth above and under C-14 Delivery and C-16 Invoicing. CPP will review invoices upon receiving them. In order to perform this review, CPP requires all of the following documents.
4. Relevant sections (e.g., the Schedule of Items section) of the contract with vendor.

**SPECIFICATIONS/DESCRIPTIONS OF PRODUCTS AND / OR SERVICES  
DEPARTMENT OF PUBLIC UTILITIES – DIVISION OF CLEVELAND PUBLIC POWER**

**PURCHASE OF CROSSARMS AND ACCESSORIES 2024**

**SECTION C – SUPPLEMENTAL GENERAL CONDITIONS**

5. A City of Cleveland Delivery Order (DO) that authorized the specific materials being invoiced.
6. Delivery documentation (e.g., Delivery Slip, Packing Slip, etc.), with an acknowledgement signature and date from a CPP employee; and
7. An accurate invoice.

The vendor is responsible for providing the delivery documentation at the time of delivery and for submitting the invoice.

The City will provide the contract and DO copies. A CPP employee will use the above four documents to perform cross-checks to ensure accuracy in invoicing. If all is in order (e.g., delivered / invoiced items were authorized under the contract and DO, invoice quantities were delivered, contract prices were invoiced, discounts applied, etc.), CPP will approve payment of the invoice through the City's internal processes. The City's Division of Account subsequently handles processing of the payment request, and the Division of Treasury issues the payment.

**C.17. NO WAIVER OF LEGAL RIGHTS**

Neither acceptance of nor payments for the work or goods or services hereunder, or any part of them, nor any extension of time, nor any possession taken by the City shall operate as a waiver of any portion of the Contract, nor shall a waiver or any default or breach of the Contract be held to be a waiver of any other or subsequent default or breach.

**C.18. PUBLIC LIABILITY, PROPERTY DAMAGE AND AUTOMOBILE INSURANCE REQUIREMENTS**

- A. The Contractor shall maintain during the term of this contract such general liability insurance including but not limited to bodily injury, property damage, contractual liability, products/completed operations coverage, and personal injury coverage wherein the City of Cleveland is named as additional insured. (Special hazards such as business automobile liability insurance are addressed below.) Coverage shall protect the Contractor and any subcontractor performing any work under this contract from claims for damage for personal injury, bodily injury, including accidental death, as well as for claims for property damage, which may arise from operations under this contract, whether such operations be by the Contractor or by any subcontractor or by anyone directly or indirectly employed by them.



**SPECIFICATIONS/DESCRIPTIONS OF PRODUCTS AND / OR SERVICES  
DEPARTMENT OF PUBLIC UTILITIES – DIVISION OF CLEVELAND PUBLIC POWER**

**PURCHASE OF CROSSARMS AND ACCESSORIES 2024**

**SECTION C – SUPPLEMENTAL GENERAL CONDITIONS**

An original certificate of insurance and a copy of the additional insured endorsement naming the City of Cleveland as additional insured shall be deposited with the Director of Finance prior to execution of the contract. Such documents shall be as to form, coverage, carrier and limits satisfactory to and approved by the Director of Law. The additional insured coverage provided to the City under the Contractor's insurance policy(ies) shall be primary with respect to Contractor's general liability, notwithstanding other insurance covering the City. The amounts of insurance shall be as described below.

**B. General Liability**

1. Including but not limited to Bodily Injury, Property Damage, Contractual Liability, Owners and Contractors Protective Liability, Products/Completed Operations and Personal Injury.
2. Such policy or policies shall be in an amount not less than a combined single limit of \$1,000,000.00 for bodily injury and property damage per occurrence and, in the aggregate, including but not limited to, contractual liability, owners and contractors' protective liability, personal injury as well as products/completed operations coverage of \$1,000,000.00.
3. Such coverage shall be on an occurrence basis. Coverage shall not be on a claim made basis.
4. If a deductible or self-insured retention is assumed, it may not exceed \$50,000.00 per occurrence and in the aggregate.
5. This insurance shall include coverage for damage of property of any nature in the care, custody, or control of the Contractor, or any property over which the Contractor is directly or indirectly exercising physical control by reason of the work to be performed.

**C. Special Hazards**

Where site conditions warrant, special hazards shall be covered during the life of this Contract by rider or riders to the policy or policies above required, or by separate policies of insurance.

**D. Business Automobile Liability**

Business automobile insurance to cover each automobile, truck or other vehicle used in the performance of the contract in an amount not less than a combined single limit of \$1,000,000.00 for bodily injury, including death and property damage per occurrence.

**SPECIFICATIONS/DESCRIPTIONS OF PRODUCTS AND / OR SERVICES  
DEPARTMENT OF PUBLIC UTILITIES – DIVISION OF CLEVELAND PUBLIC POWER**

**PURCHASE OF CROSSARMS AND ACCESSORIES 2024**

**SECTION C – SUPPLEMENTAL GENERAL CONDITIONS**

- E. The Contractor shall notify the Director of Law, in writing, at least ten (10) days before it cancels or reduces its insurance policy or coverage, and immediately upon the Contractor's receipt of notice from its insurance company of any cancellation or reduction of the required insurance policy or coverage.
- F. Self-insurance is not acceptable.
- G. Under no circumstances will the City assume control of vendor's employees, nor will the City assume or have the right to vendor's said employees and equipment. In no event will the City be responsible for any injury to said vendor's employees.

**C.19. OEO PARTICIPATION** (Supplemental to A-17, A-18, and A-19)

Under Chapter 187.13C of the Codified Ordinances, the OEO participation goal for this contract has been waived. Schedules 1-4 are not required.

There is no Subcontractor Participation (Utilization) Goal for this contract. However, per Section A-19(a) of the Instructions to Bidders, any and all proposed subcontractors, whether City certified or not, must be divulged and listed in the sealed bid. If you do plan to utilize a subcontractor, submit a proposed subcontractor list on a separate, signed sheet of paper, listing the name, address, type of work or materials, and total subcontractor amount for each and every subcontractor that you propose to use on this contract.

You are encouraged to consider City-certified firms for any available subcontracting opportunities. A searchable database of all City-certified firms can be found on the City of Cleveland Office of Equal Opportunity Website:

<http://cleveland.diversitycompliance.com>. On the website, click on CSB/MBE/FBE Registry.

**C.20. NOTICE TO PROCEED**

The term of this contract shall begin when CPP issues a Notice to Proceed to the awarded vendor. A Notice to Proceed shall not be issued until the contract has been fully executed and delivered to all parties.

**< END OF SECTION C >**

**SPECIFICATIONS/DESCRIPTIONS OF PRODUCTS AND / OR SERVICES  
DEPARTMENT OF PUBLIC UTILITIES – DIVISION OF CLEVELAND PUBLIC POWER**

**PURCHASE OF CROSSARMS AND ACCESSORIES 2024**

**SECTION D – DETAILED SPECIFICATIONS**

**D.1. INDUSTRY STANDARDS**

The following national standards are a part of this Specification.

D.1.1. American National Standards Institute (ANSI) (Current Edition) Including but not limited to:

ANSI 05.02 – American National Standards Institute Product standard for Structural glued Laminated Timber for Utility Structures. This standard covers requirement for manufacturing and quality control of structural glued laminated timber of Coast Region Douglas Fir, southern Pine, Hem, Fir, and other species of similar treatability for electric power and communications structures.

ANSI 05.03 – ANSI Product standard for Solid Sawn-Wood Crossarms and Braces Specifications and Dimensions.

Part I: General Requirements.

Part II: Douglass Fir: specifications for crossarms and braces.

Part III: Dense Southern Pine: specification for crossarms.

This product standard for solid sawn crossarms and braces has basically replaced EEI TD-90, TD-91, TD-92, and TD-93.

ANSI C2 – National Electric Safety Code (NESC)

D.1.2. American Society for Testing & Materials (ASTM) (Current Edition) Including but not limited to:

ASTM D9 – Standard Terminology Relating to Wood & Wood-Based Products

ASTM D8019 – Standard Test Method.

D.1.3. American Wood-Protection (formerly "Preservers") Association (AWPA) Book of Standards (Current Edition)

Including but not limited to:

AWPA A3 – Standard Methods for Determining Penetration of Preservatives and Fire Retardants

AWPA A5 – Standard Methods for Analysis of Oil-Borne Preservatives

AWPA M3 – Standard Quality Control Procedures for Wood Preserving Plants.

AWPA M4 – Standard for the Care of Preservative-Treated Wood Products

AWPA P8 – Standard for Oil-Borne Preservatives

**SPECIFICATIONS/DESCRIPTIONS OF PRODUCTS AND / OR SERVICES  
DEPARTMENT OF PUBLIC UTILITIES – DIVISION OF CLEVELAND PUBLIC POWER**

**PURCHASE OF CROSSARMS AND ACCESSORIES 2024**

**SECTION D – DETAILED SPECIFICATIONS**

AWPA T1 – Use Category System: Processing & Treatment Standard  
AWPA U1 – Use Category System: User Specification for Treated Wood

Rural Electrical Administration (REA)  
RUS (REA) Bulletin 1728-H-701  
RUS (REA) Bulletin 1728-H-702  
RUS (REA) Bulletin 1728-F-800

**D.2. PRESERVATIVE TREATMENT**

All wood poles shall be processed, and pressure treated according to the requirements of AWPA T1 with the following clarifications:

D.2.1. Incising

As a minimum requirement, wood products shall be incised according to the requirements of AWPA T1. If it is determined that additional incising is necessary to achieve the minimum penetration of preservative, then additional incising will be required.

D.2.2. Net Retention of Preservative

The net retention of preservative shall not be less than that specified in AWPA U1.

D.2.3. Penetration of Preservative

The penetration of preservative shall not be less than that specified in AWPA T1.

**D.3. WOOD CROSSARM DETAILS**

Wood Crossarms shall be manufactured in accordance with the above-mentioned national standards with the following clarifications:

D.3.1 Dimensions and Drilling

Dimensions and drilling of wood Crossarms shall conform to Cleveland Public Power (CPP) Drawing #3636-S1 (copy attached).

**SPECIFICATIONS/DESCRIPTIONS OF PRODUCTS AND / OR SERVICES  
DEPARTMENT OF PUBLIC UTILITIES – DIVISION OF CLEVELAND PUBLIC POWER**

**PURCHASE OF CROSSARMS AND ACCESSORIES 2024**

**SECTION D – DETAILED SPECIFICATIONS**

**D.3. WOOD CROSSARM DETAILS CONT.**

D.3.2 Incising

Standard and heavy-duty wood Crossarms shall be incised to a depth of 1/8 inch on all six (6) sides.

D.3.3 Physical Specifications

Douglas Fir Crossarms is preferred but alternate bids will be accepted for Southern Pine, Western Hemlock or Apitong Crossarms.

**D.4. INSPECTION**

As it is impracticable for the City to send an inspector to the crossarms yards to inspect crossarms before the same are loaded, the pole supplier shall assume said duties and shall deliver the crossarms in accordance with these specifications subject to inspection by the City when crossarms are unloaded.

The City shall inspect all crossarms when they are unloaded and all crossarms not complying with these specifications shall be rejected. Copies of inspection and testing records shall be supplied to the City by the supplier. (Please see Section (C.5 Delivery) regarding rejected and/or refused items.)

**D.5. APITONG WOOD ASSEMBLY DETAILS**

Apitong wood assemblies herein specified shall be constructed of Apitong wood having a modulus of rupture of 16,000 psi or greater. Assemblies shall be mounted utilizing extruded 6061-T6 aluminum alloy fittings to minimize weight and maintain strength.

**D.6. FERROUS METAL PART DETAILS**

All ferrous metal parts shall be hot-dipped galvanized.

**SPECIFICATIONS/DESCRIPTIONS OF PRODUCTS AND / OR SERVICES  
DEPARTMENT OF PUBLIC UTILITIES – DIVISION OF CLEVELAND PUBLIC POWER**

**PURCHASE OF CROSSARMS AND ACCESSORIES 2024**

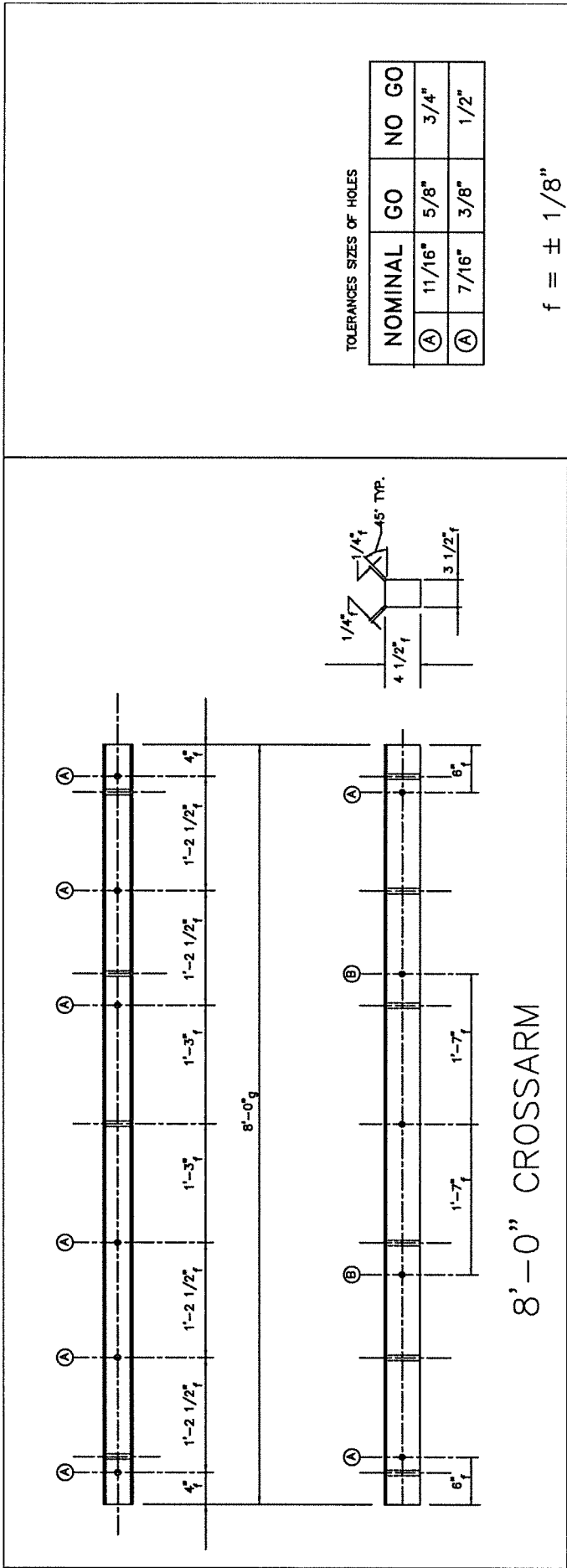
**SECTION D – DETAILED SPECIFICATIONS**

**D.7. MATERIAL SAFETY DATA SHEETS**

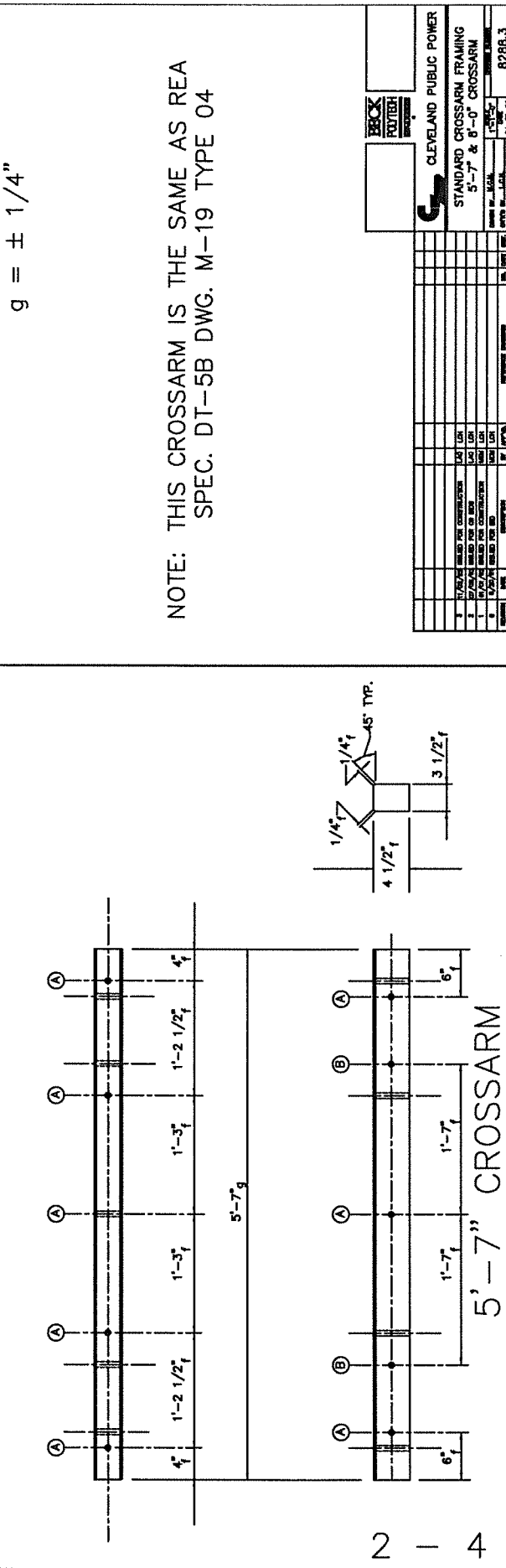
The successful bidder shall mail Material Safety Data Sheets to:

**Anthony Missig / Safety Programs Manager  
Cleveland Public Power  
1300 Lakeside Ave  
Cleveland, Ohio 44114**

**< END OF SECTION D >**



8'-0" CROSSARM



5'-7" CROSSARM

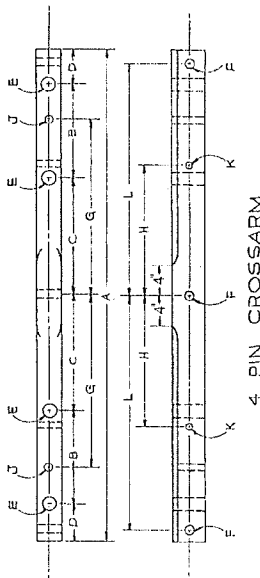
TOLERANCES SIZES OF HOLES

NOMINAL	GO	NO GO
(A) 11/16"	5/8"	3/4"
(A) 7/16"	3/8"	1/2"

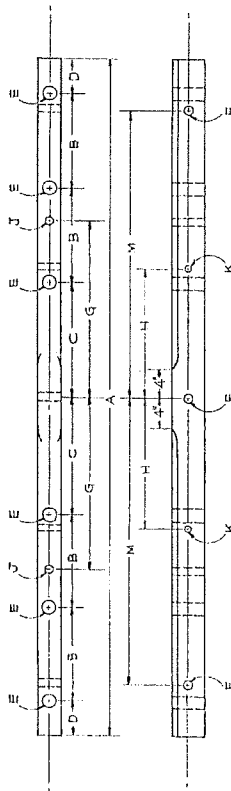
f = ± 1/8"  
g = ± 1/4"

NOTE: THIS CROSSARM IS THE SAME AS REA SPEC. DT-5B DWG. M-19 TYPE 04

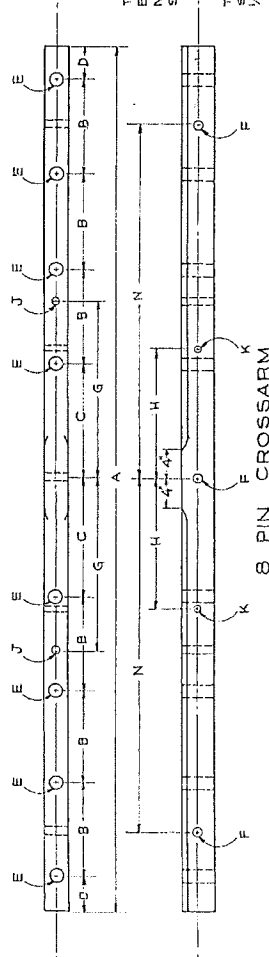
BECK PLASTER			CLEVELAND PUBLIC POWER		
STANDARD CROSSARM FRAMING 5'-7" & 8'-0" CROSSARM			DATE	BY	CHK
NO. IN STOCK	DATE	BY	CHK	NO. IN STOCK	DATE
1-10-25				1-10-25	
8288.3				8288.3	



4 PIN CROSSARM



6 PIN CROSSARM



8 PIN CROSSARM

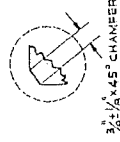
NOTES:

THE WORDS "STANDARD" AND "HEAVY DUTY" LISTED UNDER THE HEADINGS TYPE ARE DIVISIONS OF LIGHT, MEDIUM AND HEAVY DUTY CROSSARMS AND THE 4, 6, 8 PIN CROSSARMS.

CROSSARMS SHALL CONFORM IN ALL RESPECTS TO THE SPECIFICATIONS FOR "PENTA TREATED" DOUGLAS FIR CROSSARMS AS PUBLISHED BY EDISON ELECTRIC INSTITUTE NO. TD 90-10-23, 4-11-23, 4-17-23, 5-1-23.

THE TWO TOP EDGES (ONLY) SHALL BE EITHER CHAMFERED OR ROUNDED, THE MANUFACTURER MAY CHOOSE THE SHAPE, HE PREFERS.

THE TWO BOTTOM EDGES SHALL BE SLIGHTLY BASED FOR ENTIRE LENGTH  $1/8 \pm 1/6$  RADIUS.



TYPE	NO PINS	LENGTH ARM	PIN HOLES		CENTER AND END HOLES	BOLT SPACING		BRACE HOLES	END BOLT HOLE FOR SPACING BLOCK		
			SPACING SIDES	CENTER		ANGLE	FLAT ARM		SIZE	INCHES	INCHES
3/4" x 4 1/4"	4	5'-7" ± 1/4"	14 1/2" ± 1/8"	15" ± 1/8"	1 1/16"	2 1/2" ± 1/8"	1 1/8" ± 1/8"	9/16"	7/16"	3 1/8" ± 1/8"	5 1/2" ± 1/8"
STANDARD	6	10'-5" ± 1/4"	"	"	"	"	"	"	"	"	42" ± 1/8"
4"x8" HEAVY DUTY	6	8'-0" ± 1/4"	"	"	"	"	"	"	"	"	42" ± 1/8"
	8	10'-5" ± 1/4"	"	"	"	"	"	"	"	"	3 1/2" ± 1/8"

REVISION	DATE	DESCRIPTION	BY	APP'VD.	REFERENCE DRAWINGS	NO.	DATE	DIST.

**CLEVELAND PUBLIC POWER ENGINEERING DEPARTMENT**

**WOOD CROSSARMS**

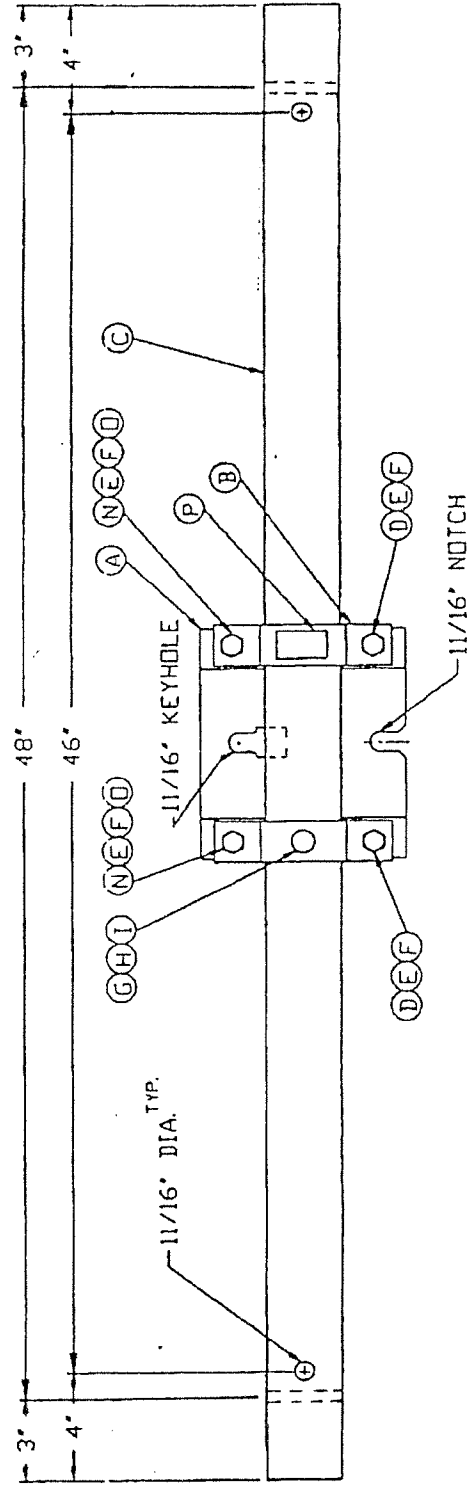
DRAWN BY: D. TURKOVICH SCALE: NTS DRAWING NUMBER: 3636-S1

DATE: 5/12/04


CH'K'D BY: \_\_\_\_\_



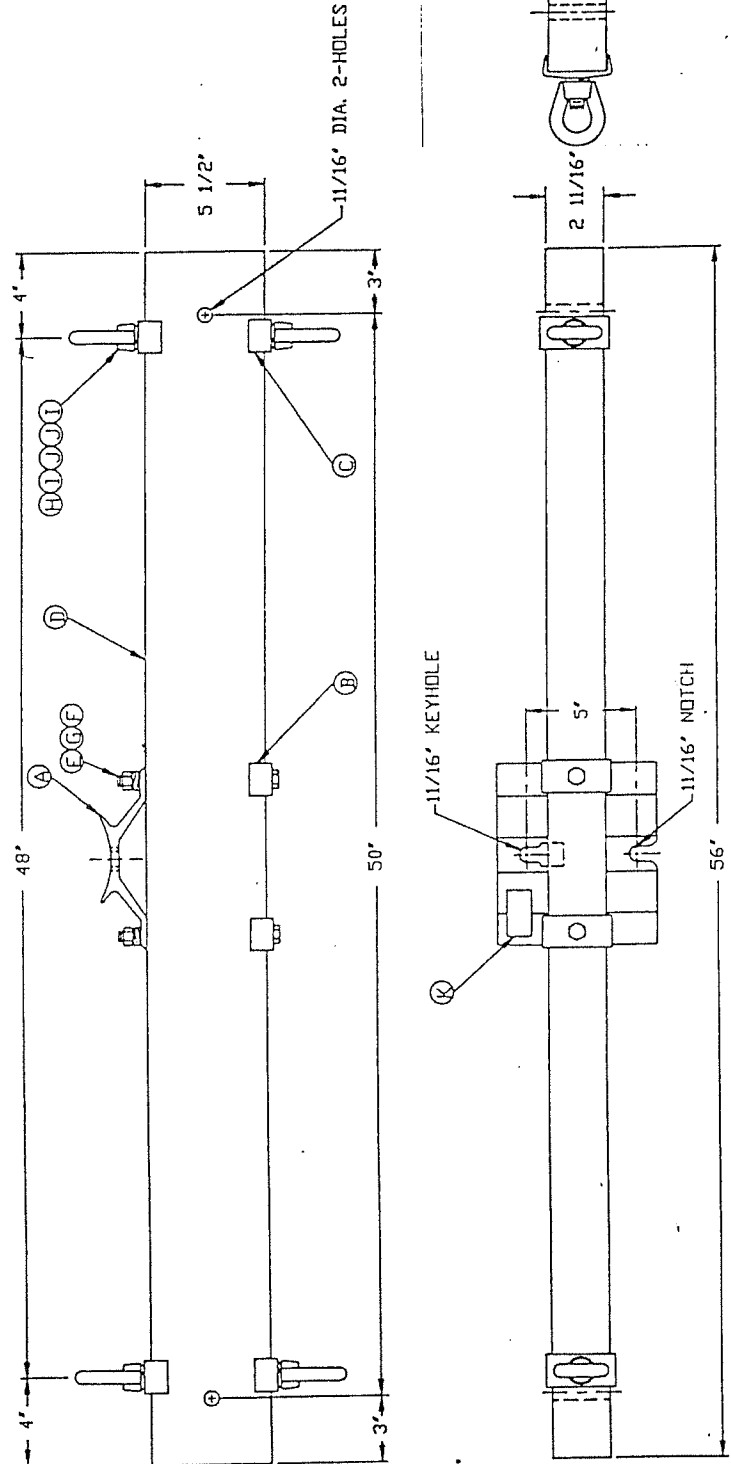
SYM.	QTY.	DESCRIPTION
A	1	
B	2	
C	1	
D	2	1/2"X1"HHM.B.
E	4	1/2" HEX NUT
F	4	1/2" INTL. WASHER
G	1	3/8"X3 1/2" CAR.BOLT
H	1	3/8" HEX NUT
I	1	3/8" LOCKWASHER
N	2	1/2"X1 1/4"HHM.B.
O	2	1/2" FLATWASHER
P	1	R.D. DECAL



REVISED	DATE	DESCRIPTION	BY	APP'D.	REFERENCE DRAWING	NO.	DATE	DEL.


**CLEVELAND PUBLIC POWER ENGINEERING DEPARTMENT**  
**BRACELESS CROSSARM**  
 DRAWN BY: TURKOVICH      SCALE: NTS  
 DATE: 12/9/96  
 DRAWING NUMBER: BC-1

STK. MARK	QTY.	DESCRIPTION	LENGTH FT.	DN.
A	1			
B	2			
C	4			
D	1			
E	2	1/2" RH.H.B.	7	
F	2	1/2" HEX NUT		
G	2	1/2" DBL. COIL L. WASHER		
H	2	5/8" DIA. BOLT	8 1/2	
I	4	5/8" EYE NUT		
J	4	5/8" LOCKWASHER		
K	1	I.D. DECAL		

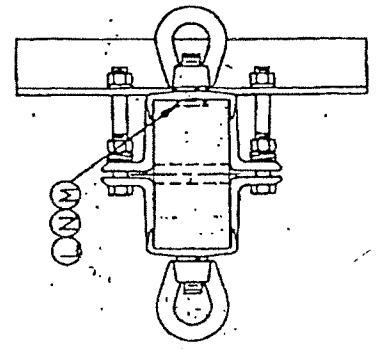
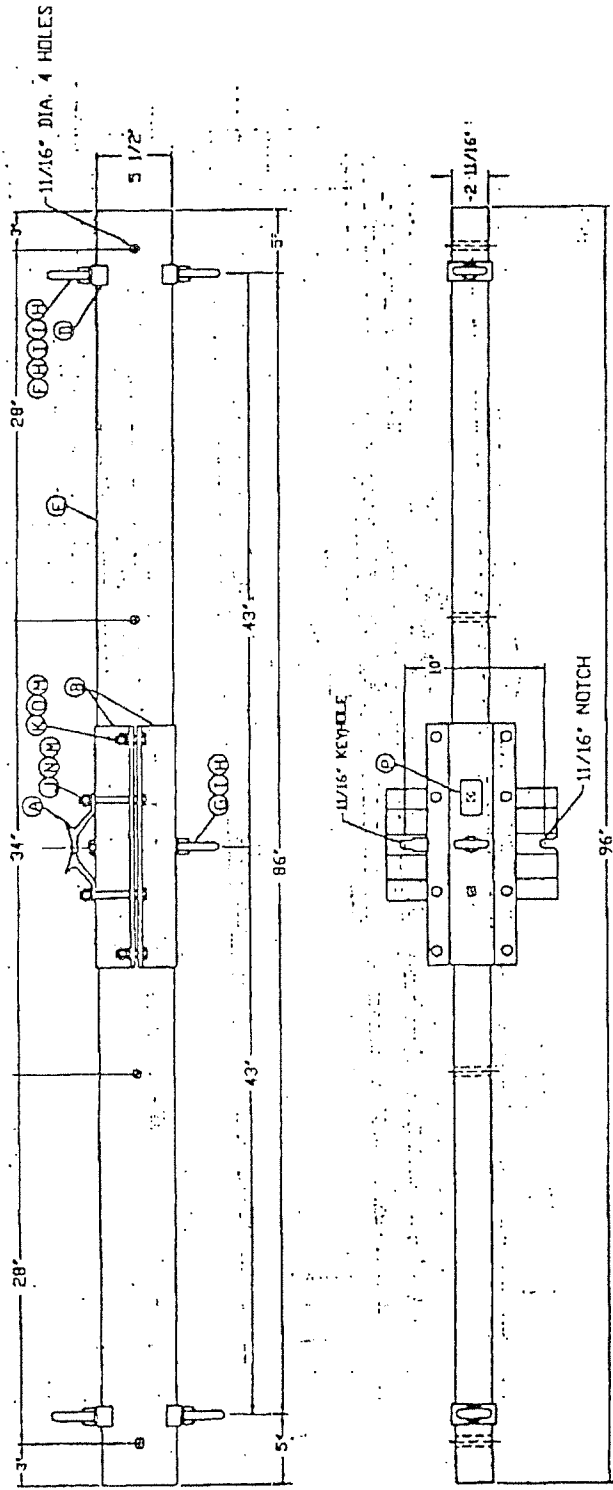


REVISED	DATE	DESCRIPTION	BY	APP'D.	REFERENCE DRAWINGS	NO.	DATE	BY

**CLEVELAND PUBLIC POWER ENGINEERING DEPARTMENT**

**BRACELESS DEAD-END ASSEMBLY**

DESIGNED BY: TURKOVICH	SCALE: NTS	DRAWING NUMBER: DE-1
CHECKED BY: TURKOVICH	DATE: 12/9/96	



SYM. MARK	QTY.	DESCRIPTION	LENGTH FT. IN.
A	1		
B	2		
C	1		
D	4		
E	1		
F	2	5/8" STUD BOLT	8 1/2
G	1	5/8" HHMB.	7
H	5	5/8" EYE BOLT	
I	5	5/8" LOCKWASHER	
J	4	1/2" HHMB.	1 1/2
K	4	1/2" HHMB.	2
L	2	1/2" CAR. BOLT	1 1/4
M	10	1/2" HEX NUT	
N	6	1/2" INT. LOCKWASHER	
O	4	1/2" DBL. COIL LOCKWASHER	
P	1	I.D. DECAL	

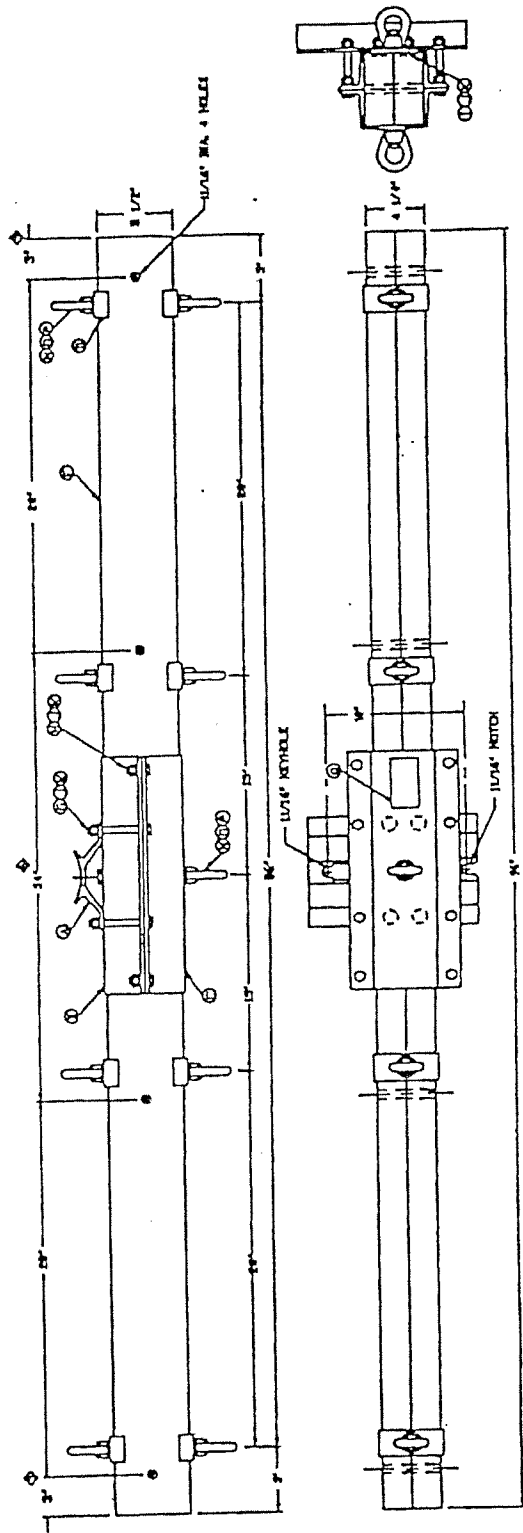
REVISION	DATE	DESCRIPTION	BY	APP'D.	REFERENCE DRAWING	NO.	DATE	INT.

**CLEVELAND PUBLIC POWER ENGINEERING DEPARTMENT**

**8" BRACELESS DEAD-END ASSEMBLY  
THREE CONDUCTOR CONSTRUCTION**

DRAWN BY <u>TURKOVICH</u>	SCALE NTS	DRAWING NUMBER <b>DE-2</b>
CHECKED BY <u>TURKOVICH</u>	DATE 12/9/96	

ITEM MARK	QTY	DESCRIPTION	LENGTH	
			FT.	IN.
A	1			
B	1			
C	1			
D	2			
E	1			
F	1	1/2" HOOK	4 1/2"	
G	1	1/2" HOOK	1 1/2"	
H	1	1/2" CARR. KEY	1 1/4"	
I	12	1/2" HEX NUT		
J	12	1/2" LOCKWASHER		
K	1	5/8" STUD BOLT	8 1/2"	
L	1	5/8" HOOK	7"	
M	9	3/8" LOCKWASHER		
N	9	3/8" STUD BOLT		
O	1	1/4" LABEL		




**CLEVELAND PUBLIC POWER ENGINEERING DEPARTMENT**

**B BRACELESS DEAD-END ASSEMBLY  
FOUR CONDUCTOR CONSTRUCTION**

DRAWN BY TURKOVICH	SCALE	DRIVING NUMBER
CHECK'D BY TURKOVICH	DATE 12/9/96	DE-3

**SUPPLEMENTAL  
NOTICE TO BIDDERS**

**NORTHERN IRELAND FAIR EMPLOYMENT PRACTICES DISCLOSURE**

**INSTRUCTIONS:** Under Sec. 181.36 Cleveland Codified Ordinances, the information requested on this page must be supplied by all Contractors and any Subcontractors having more than a fifty percent (50%) interest in the proposed contract before the City will award a contract. Any Contractor or Subcontractor that is found to have made a false statement in the Disclosure shall be in default of its bid and/or contract obligations and shall be subject to the remedies for default contained in its contract. For failure to cure such a default, a Contractor or Subcontractor shall be automatically ineligible to bid to supply any goods or services to the City for a period of two years.

**CHECK WHICHEVER IS APPLICABLE:**

A. (    ) The undersigned or any controlling shareholder, \*subsidiary, or parent corporation of the undersigned is NOT ENGAGED IN ANY BUSINESS OR TRADING FOR PROFIT IN NORTHERN IRELAND. (If paragraph A. is checked, proceed to the signature line.)

B. (    ) The undersigned or any controlling shareholder, \*subsidiary, or parent corporation IS ENGAGED IN ANY BUSINESS OR TRADING FOR PROFIT IN NORTHERN IRELAND. (If paragraph B. is checked, please either check the stipulation contained in paragraph C. or attach documentation that shows that the undersigned has complied with the stipulation contained in paragraph C.)

C. (    ) The undersigned and all enterprises identified in paragraph B. are TAKING LAWFUL AND GOOD FAITH STEPS TO ENGAGE IN FAIR EMPLOYMENT PRACTICES WHICH ARE RELEVANT TO THE STANDARDS EMBODIED IN THE "MacBRIDE PRINCIPALS FOR FAIR EMPLOYMENT IN NORTHERN IRELAND." A copy of the MacBride Principles can be obtained from the Office of the Commissioner of Purchases and Supplies. In lieu of checking this paragraph, the undersigned must attach documentation which the undersigned believes shows compliance with the stipulation contained in this paragraph C.

\_\_\_\_\_  
Name of Contractor or Subcontractor

By: \_\_\_\_\_

Title: \_\_\_\_\_

\*"Controlling shareholder" means any shareholder owning more than fifty percent (50%) of the stock in the corporation or more than twenty-five percent (25%) of the stock in the corporation if no other shareholder owns a larger share of stock in the corporation.

**SUPPLEMENTAL  
NOTICE TO BIDDERS**

**Subject: Submission of NORTHERN IRELAND FAIR EMPLOYMENT PRACTICES  
DISCLOSURE**

Each bidder and/or appropriate parties should complete the DISCLOSURE and submit it with the bid, if possible. If not submitted with the bid, it must be completed and submitted to the Commissioner of Purchases and Supplies before the City will award a contract. If a bidder or appropriate parties fail to complete and submit it, they shall not be eligible for a contract award.

## EQUAL OPPORTUNITY CLAUSE

(Section 187.22(b) C.O.)

Each Contract also shall contain the following equal opportunity clause:

"During the performance of this contract, the contractor agrees as follows:

- (1) The contractor shall not discriminate against any employee or applicant for employment because of race, religion, color, sex, sexual orientation, national origin, age, disability, ethnic group or Vietnam-era or disabled veteran status. The contractor shall take affirmative action to insure that applicants are employed and that employees are treated during employment without regard to race, religion, color, sex, sexual orientation, national origin, age, disability, ethnic group, or Vietnam-era or disabled veteran status. As used in this chapter, "treated" means and includes without limitation the following: recruited, whether by advertising or other means; compensated, whether in the form of rates of pay or other forms of compensation; selected for training, including apprenticeship, promoted, upgraded, demoted, downgraded, transferred, laid off and terminated. The contractor agrees to and shall post in conspicuous places, available to employees and applicants for employment, notices to be provided by the hiring representatives of the contractor setting forth the provisions of this nondiscrimination clause.
- (2) The contractor will, in all solicitations or advertisements for employees placed by or on behalf of the contractor, state that the contractor is an equal opportunity employer.
- (3) The contractor shall send to each labor union or representative of workers with which he has a collective bargaining agreement or other contract, or understanding, a notice advising the labor union or worker's representative of the contractor's commitments under the equal opportunity clause, and shall post copies of the notice in conspicuous places available to employees and applicants for employment.
- (4) It is the policy of the City that local businesses, minority-owned businesses and female-owned businesses shall have every practicable opportunity to participate in the performance of contracts awarded by the City subject to the applicable provisions of the Cleveland Area Business Code.
- (5) The contractor shall permit access by the Director or his or her designated representative to any relevant and pertinent reports and documents to verify compliance with the Cleveland Area Business Code, and with the Regulations. All such materials provided to the Director or designee by the contractor shall be considered confidential.
- (6) The contractor will not obstruct or hinder the Director or designee in the fulfillment of the duties and responsibilities imposed by the Cleveland Area Business Code.
- (7) The contractor agrees that each subcontract will include this Equal Opportunity Clause, and the contractor will notify each subcontractor, material supplier and supplier that the subcontractor must agree to comply with and be subject to all applicable provisions of the Cleveland Area Business Code. The contractor shall take any appropriate action with respect to any subcontractor as a means of enforcing the provisions of the Code."



**MAYOR'S OFFICE OF EQUAL OPPORTUNITY**  
**PARTICIPATION INFORMATION FORM**  
(Requirement and Standard Contracts)

The Subcontractor Participation Goals for this contract are:

**0% CSB Participation**

A searchable database of all CSB Subcontractors eligible to fulfill these subcontractor participation goals can be found on the City of Cleveland Office of Equal Opportunity Website:

<http://www.city.cleveland.oh.us/CityofCleveland/Home/Business/Equal%20Opportunity>

Click on [CSB/MBE/FBE Registry](#).





## DIVISION OF PURCHASES & SUPPLIES

### **Subcontractors Notice**

There is no Subcontractor Participation (Utilization) Goal for this contract. However, per Section A-19 or 22(a) of the Instructions to Bidders, any and all proposed subcontractors, whether City certified or not, must be divulged and listed in the sealed bid. If you do plan to utilize a subcontractor, submit a proposed subcontractor list on a separate, signed sheet of paper, listing the name, address, type of work or materials, and total subcontractor amount for each and every subcontractor that you propose to use on this contract.

You are encouraged to consider City-certified firms for any available subcontracting opportunities. A searchable database of all City-certified firms can be found on the City of Cleveland Office of Equal Opportunity Website:

<http://www.city.cleveland.oh.us/oeo>

On the website, click on CSB/MBE/FBE Registry.